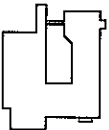

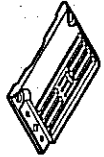
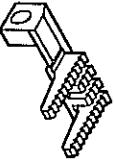
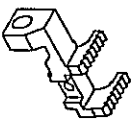
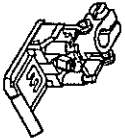

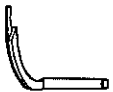



SIRUBA		Series		Remark		Page	Date			
GAGE PARTS LIST		S007K / S007KD				1 / 1	2014/04/10			
										
MODEL	SUB-CLASS	NEEDLE CLAMP	NEEDLE PLATE	MAIN FEED DOG	DIFF. FEED DOG	PRESSER FOOT	LOOPER	NEEDLE		
機 型	規 格	針 座	針 板	主 送 具	差 送 具	押 具	勾 針	上 叉	針 號	
S007K(KD)	W121/PCH-3M	240 248 356 364	M5240 M5248 M5356 M5364	E4094K E4095K E4096K E4097K	D4324K D4324K D4325K D4325K	H4387K H4387K H4379K H4379K	H4307K H4307K H4308K H4308K	P2674K-A P2674K-A P2576K-A P2576K-A	MT01 MH41	UYX128GAS#10
	W122/PCH-3M	240 248 356 364	M5240 M5248 M5356 M5364	E3994K E3995K E3996K E3997K	D4324K D4324K D4325K D4325K	H4487K H4487K H4479K H4479K	H4307K H4307K H4308K H4308K	P2674K-A P2674K-A P2576K-A P2576K-A	MT01 MH41	UYX128GAS#10
	W321/PCE	240 248 356 364	M5240 M5248 M5356 M5364	E4064K E4065K E4066K E4067K	D4324K D4324K D4325K D4325K	H4487K H4487K H4479K H4479K	H4307K H4307K H4308K H4308K	P2674K-A P2674K-A P2576K-A P2576K-A	MT01 MH41	UYX128GAS#10
W322/PCE	240 248 356 364	M5240 M5248 M5356 M5364	E3964K E3965K E3966K E3967K	D4324K D4324K D4325K D4325K	H4487K H4487K H4479K H4479K	H4307K H4307K H4308K H4308K	P2674K-A P2674K-A P2576K-A P2576K-A	MT01 MH41	UYX128GAS#10	

SIRUBA
GAGE PARTS LIST

Series
S007KD

Remark
USE FOR FFT

MODEL	SUB-CLASS	NEEDLE CLAMP	NEEDLE PLATE	MAIN FEED DOG	DIFF. FEED DOG	TOP FEED DOG	PRESSER FOOT	LOOPER	SPREADER	NEEDLE
機 型	規 格	針 座	針 板	主送具	差送具	上送具	壓 具	勾 針	上 叉	使用針
W121/FFT/PCH	240	M5240	E4094K	D4324K	H4387K	F7240N	P7240N-A	MT01	MH41	UYX128GAS#10
	248	M5248	E4095K	D4325K	H4379K	F7356N	P7248N-A	MT01	MH41	UYX128GAS#10
	356	M5356	E4096K				P7356N-A			
364	M5364	E4097K	D4325K	H4379K	F7356N	P7364N-A	MT01	MH41	UYX128GAS#10	
W121/FFT/PCH/UTT(UTX)	240	M5240	E3994K	D4324K	H4387K	F7240N	P7240N-A	MT01	MH41	UYX128GAS#10
	248	M5248	E3995K	D4325K	H4379K	F7356N	P7248N-A	MT01	MH41	UYX128GAS#10
	356	M5356	E3996K				P7356N-A			
364	M5364	E3997K	D4325K	H4379K	F7356N	P7364N-A	MT01	MH41	UYX128GAS#10	
W122/FFT/PCH	240	M5240	E3994K	D4324K	H4387K	F7240N	P7240N-A	MT01	MH41	UYX128GAS#10
	248	M5248	E3995K	D4325K	H4379K	F7356N	P7248N-A	MT01	MH41	UYX128GAS#10
	356	M5356	E3996K				P7356N-A			
364	M5364	E3997K	D4325K	H4379K	F7356N	P7364N-A	MT01	MH41	UYX128GAS#10	
W122/FFT/PCH/UTT(UTX)	240	M5240	E3994K	D4324K	H4387K	F7240N	P7240N-A	MT01	MH41	UYX128GAS#10
	248	M5248	E3995K	D4325K	H4379K	F7356N	P7248N-A	MT01	MH41	UYX128GAS#10
	356	M5356	E3996K				P7356N-A			
364	M5364	E3997K	D4325K	H4379K	F7356N	P7364N-A	MT01	MH41	UYX128GAS#10	

SIRUBA
GAGE PARTS LIST

Series
S007KD

Remark
USE FOR FFT

Page
2 / 2

Date
2013/09/12

機 型	規 格	針 座	針 板	主送具	差送具	上送具	壓 具	勾 針	上 叉	NEEDLE
W131/FFT/PCH	240	M5240	E7240SL	D7240S	H7240S	F7240F	P7240F-A	MT01	MH41	UYX128GAS#10
	248	M5248	E7248SL	D7240S	H7240S	F7240F	P7248F-A			
	356	M5356	E7356SL	D7356S	H7356S	F7356F	P7356F-A			
W131/FFT/PCH	364	M5364	E7364SL	D7356S	H7356S	F7356F	P7364F-A			UYX128GAS#10
	240	M5240	E7240SM	D7240S	H7240S	F7240F	P7240F-A	MT01	MH41	
	248	M5248	E7248SM	D7240S	H7240S	F7240F	P7248F-A			
W132/FFT/PCH	356	M5356	E7356SM	D7356S	H7356S	F7356F	P7356F-A			UYX128GAS#10
	364	M5364	E7364SM	D7356S	H7356S	F7356F	P7364F-A			
	240	M5240	E7240SM	D7240S	H7240S	F7240F	P7240F-A	MT01	MH41	
W132/FFT/PCH	248	M5248	E7248SM	D7240S	H7240S	F7240F	P7248F-A			UYX128GAS#10
	356	M5356	E7356SM	D7356S	H7356S	F7356F	P7356F-A			
	364	M5364	E7364SM	D7356S	H7356S	F7356F	P7364F-A			

SIRUBA

PARTS LIST

Series

S007K/S007KD

Parts Group

MF-K

Subclass / Remark

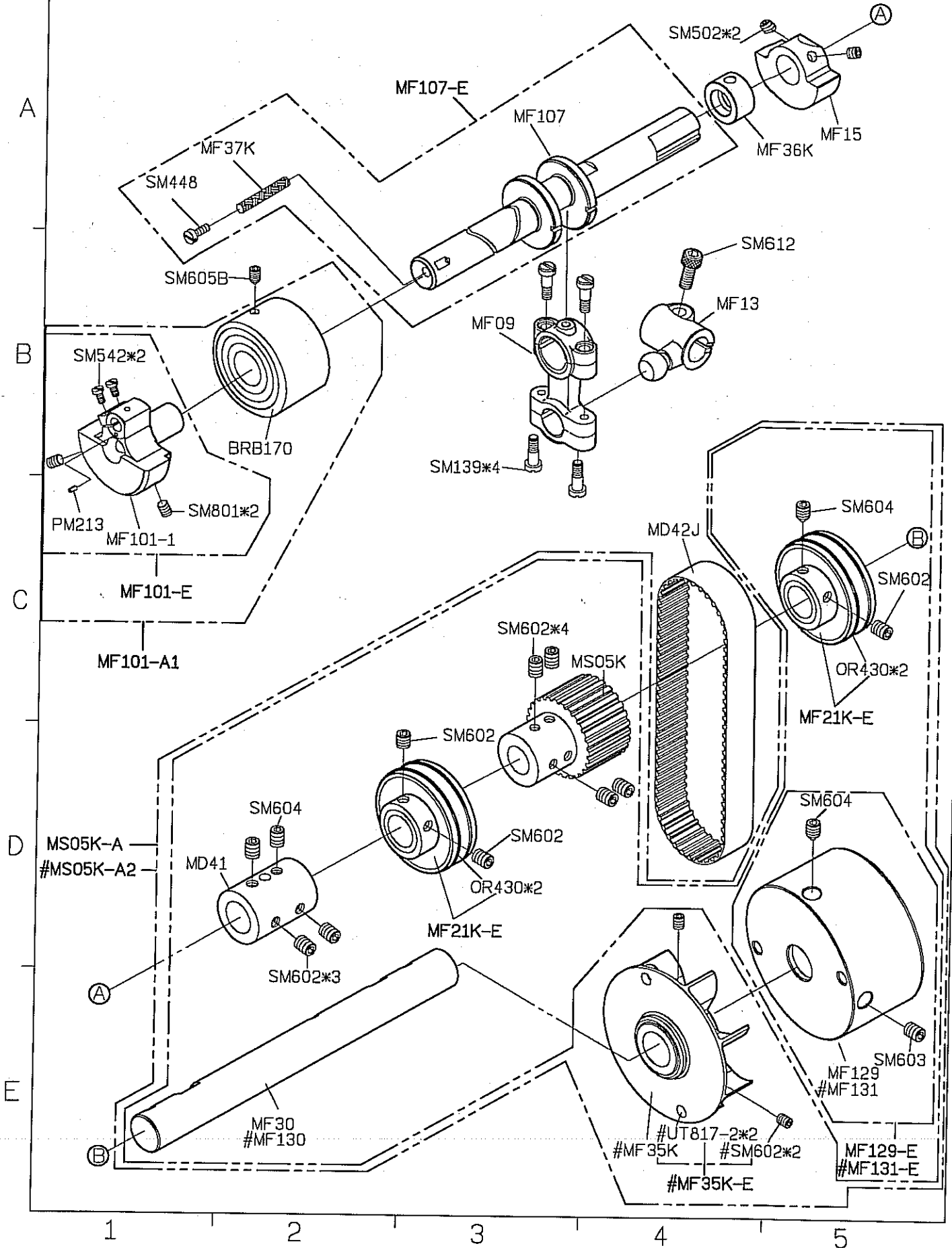
For S007K/S007KD 2nd Generation
:Use for S007KD 2nd Generation

Page

1/1

Date

2014/04/08



SIRUBA PARTS LIST	Series	Parts Group	Subclass / Remark	Page
	S007K/S007KD	MG-K	For S007K/S007KD 2 nd Generation	1/1
				Date
				2012/10/31

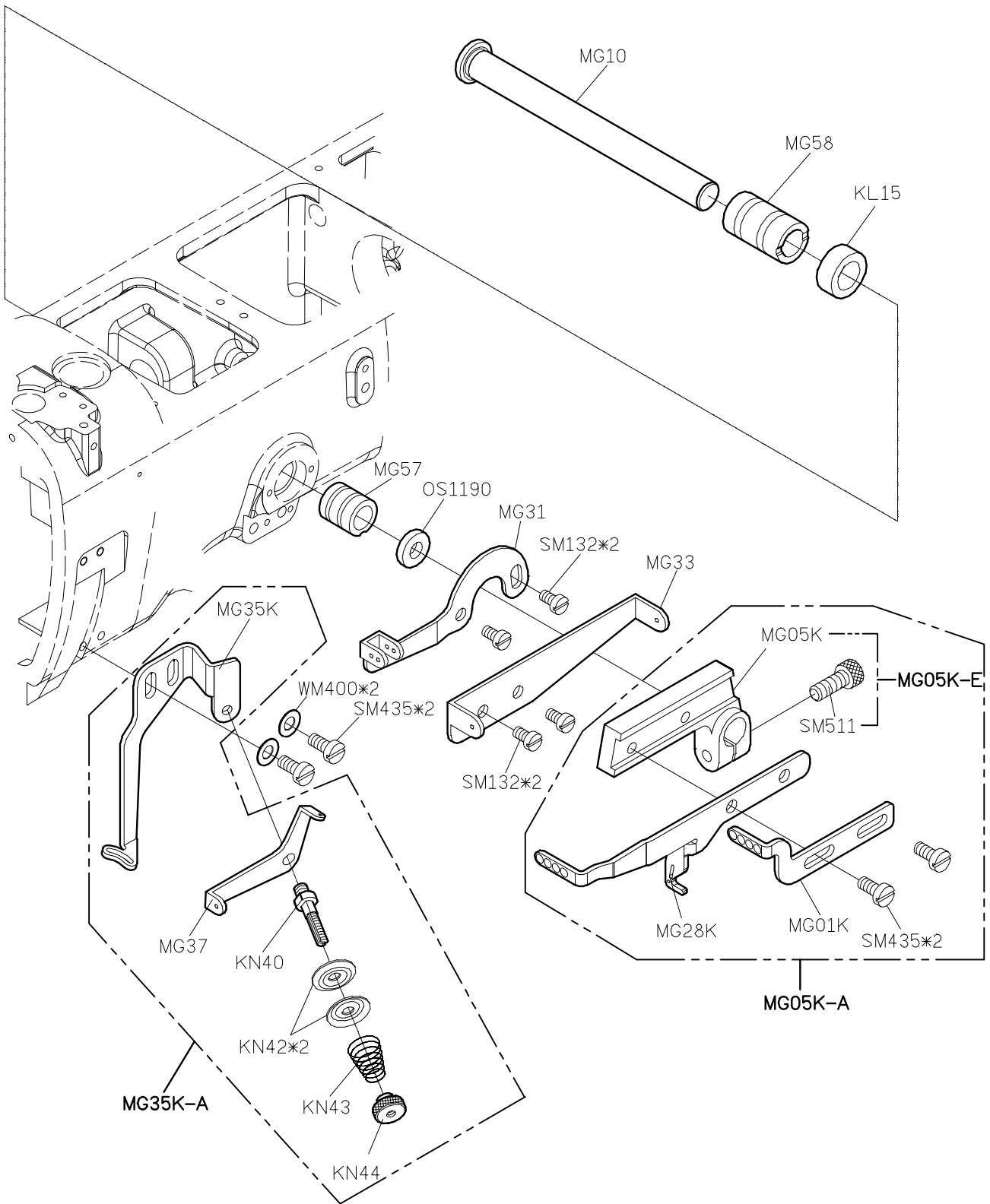
A

B

C

D

E



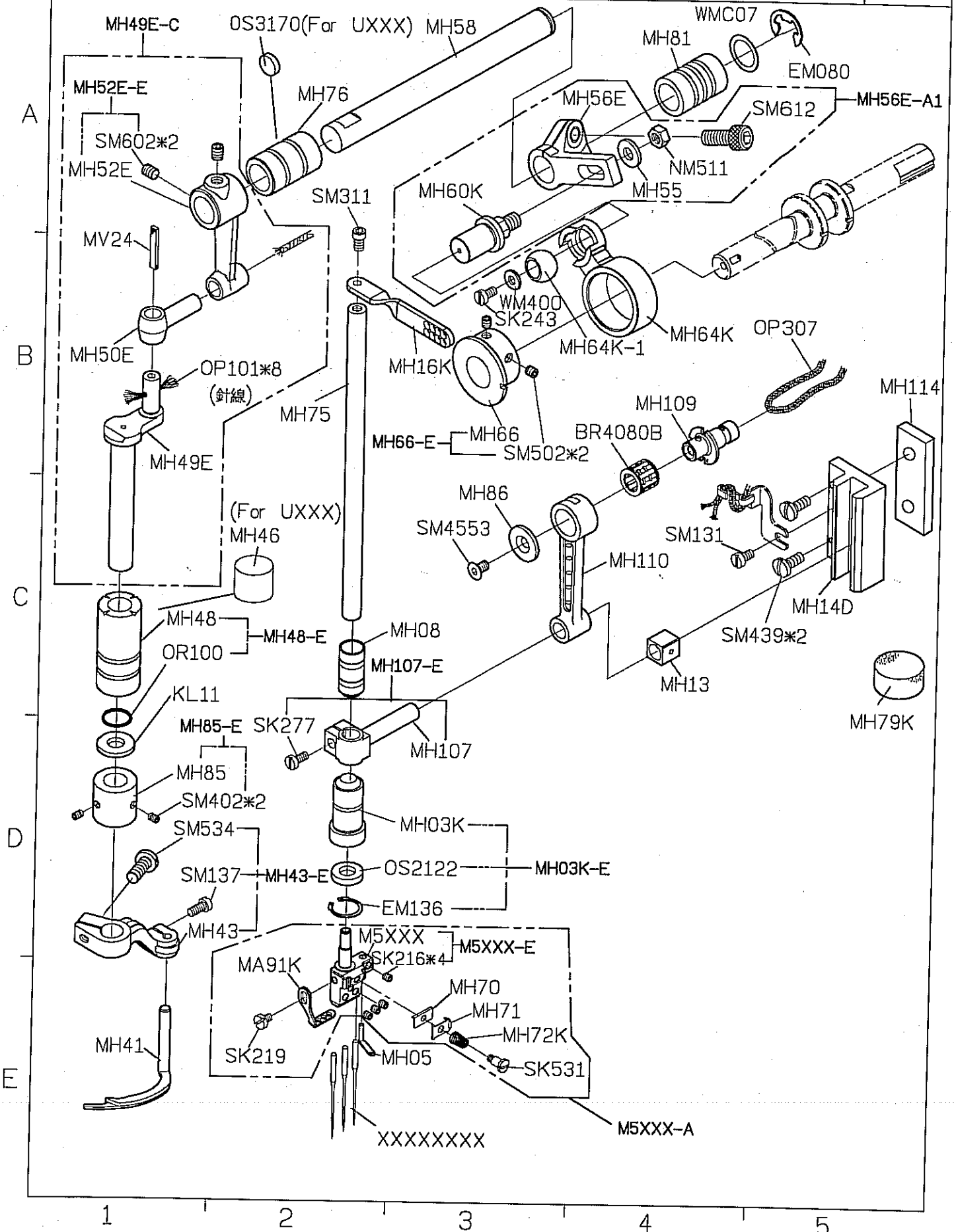
1

2

3

4

5



SIRUBA

PARTS LIST

Series

S007K/S007KD

Parts Group

MJ-K

Subclass / Remark

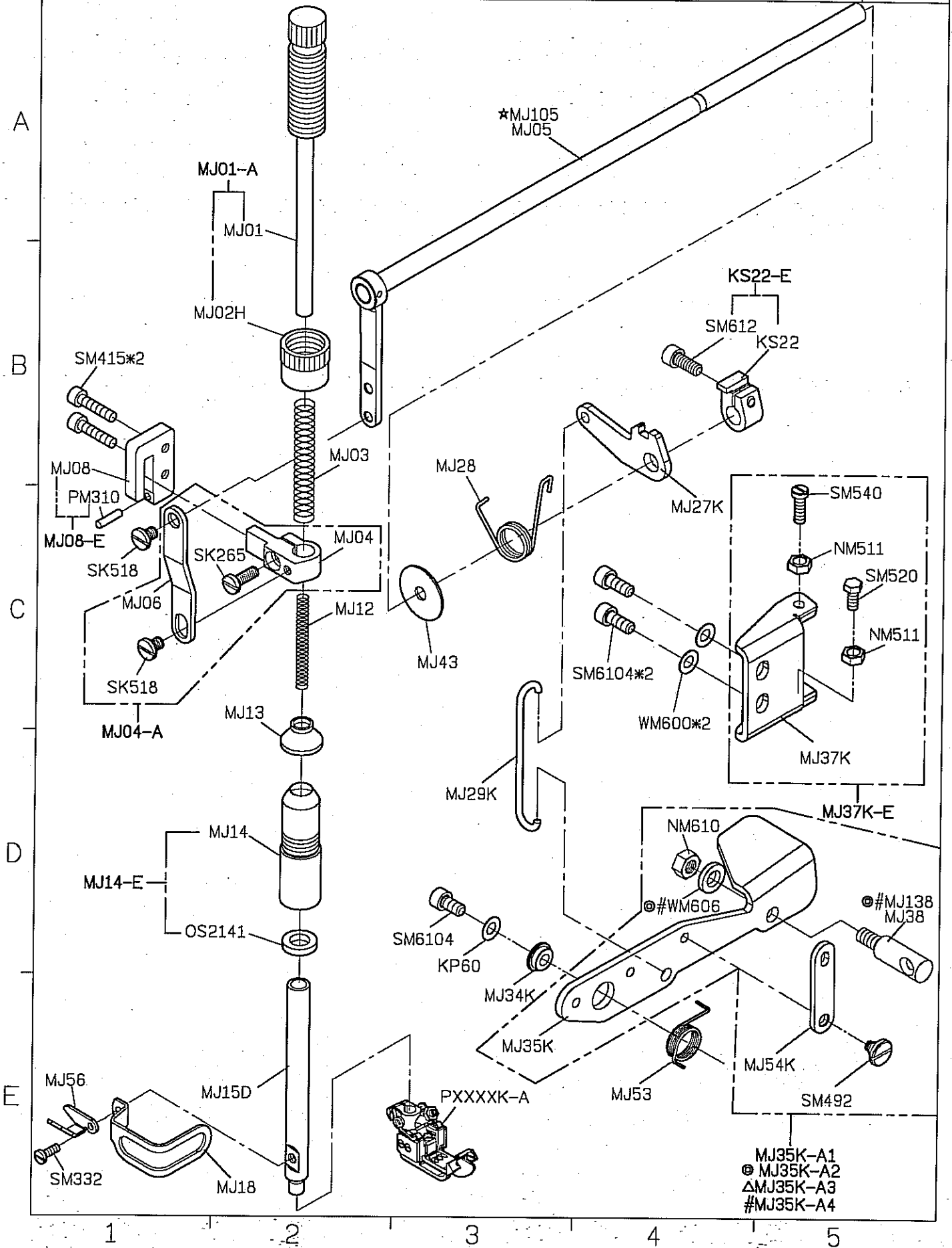
For S007K/S007KD 2nd Generation
★: Use for S007KD 2nd Generation
⊙: Use for S007KD-UT 2nd Generation
#: Use for S007KD 2nd Generation not for UT
△: Use for S007K-UT 2nd Generation

Page

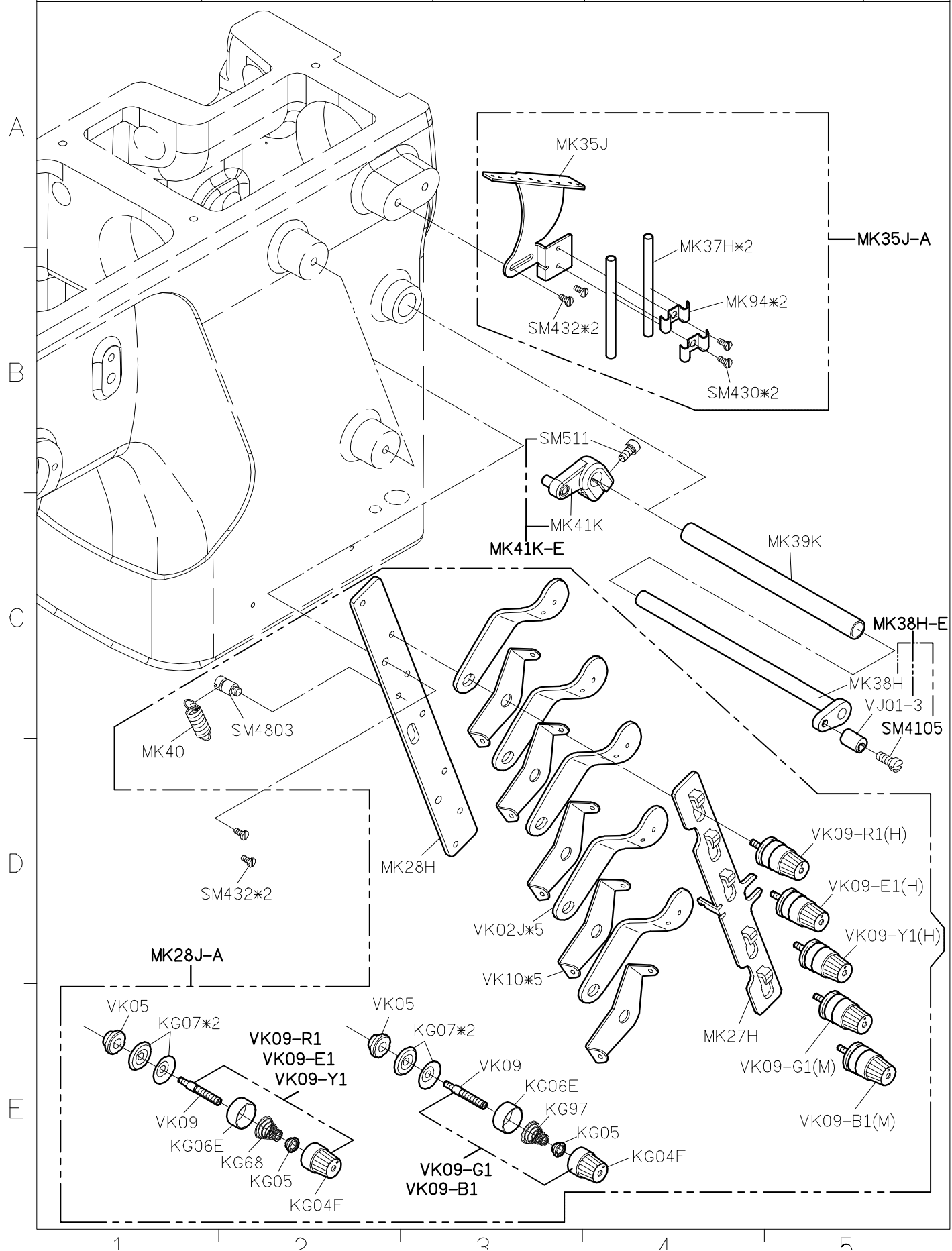
1/1

Date

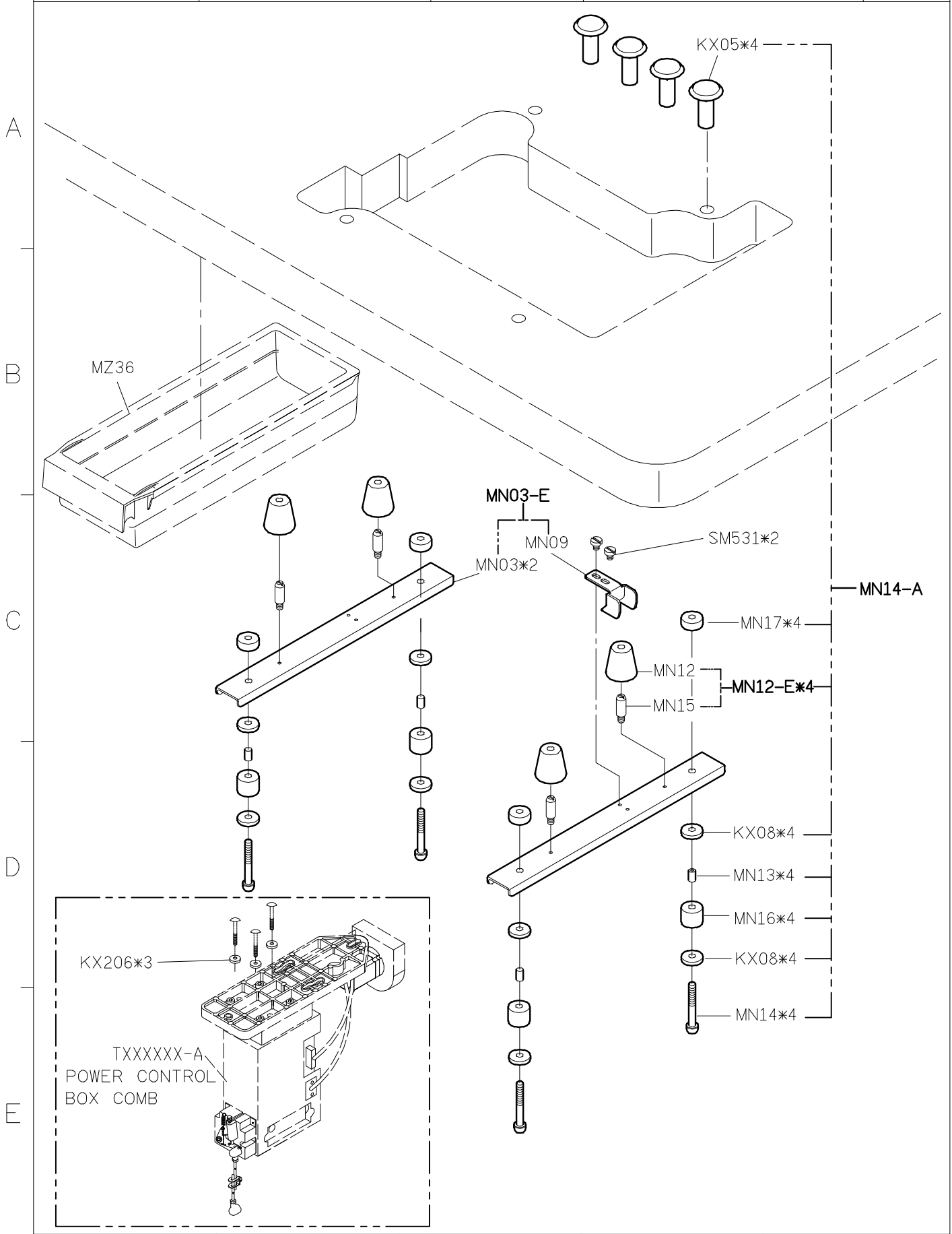
2014/02/22



SIRUBA PARTS LIST	Series	Parts Group	Subclass / Remark	Page
	S007K/S007KD	MK-K	For S007K/S007KD 2 nd Generation	1/1
				Date
				2012/10/31



SIRUBA PARTS LIST	Series	Parts Group	Subclass / Remark	Page
	S007K/S007KD	MN-K		1/2
				Date
				2012/10/31



1

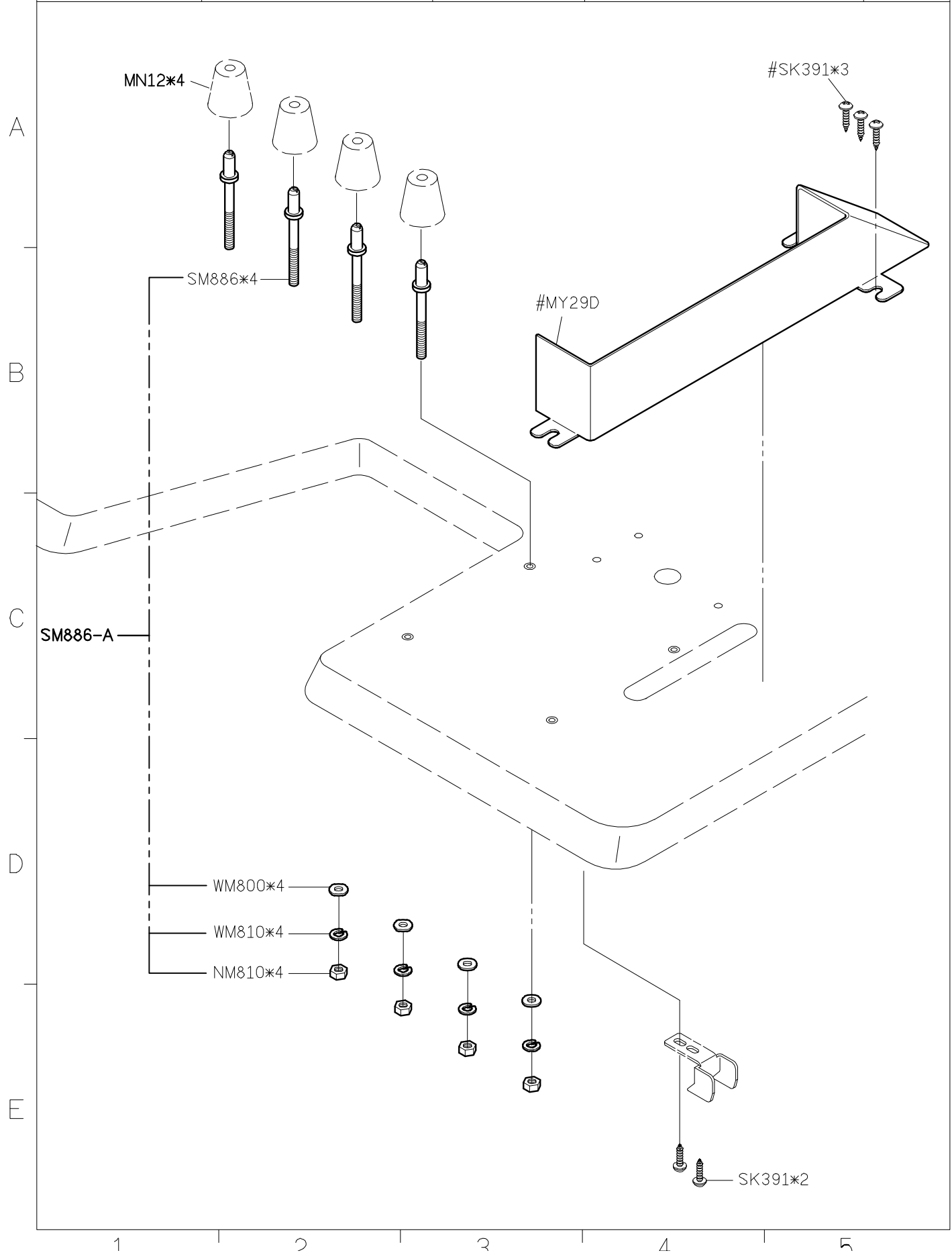
2

3

4

5

SIRUBA PARTS LIST	Series	Parts Group	Subclass / Remark	Page
	S007K/S007KD	MN-K	# :Use for S007K	1/2
				Date
				2012/10/31



SIRUBA

PARTS LIST

Series

S007K/S007KD

Parts Group

SL-K

Subclass / Remark

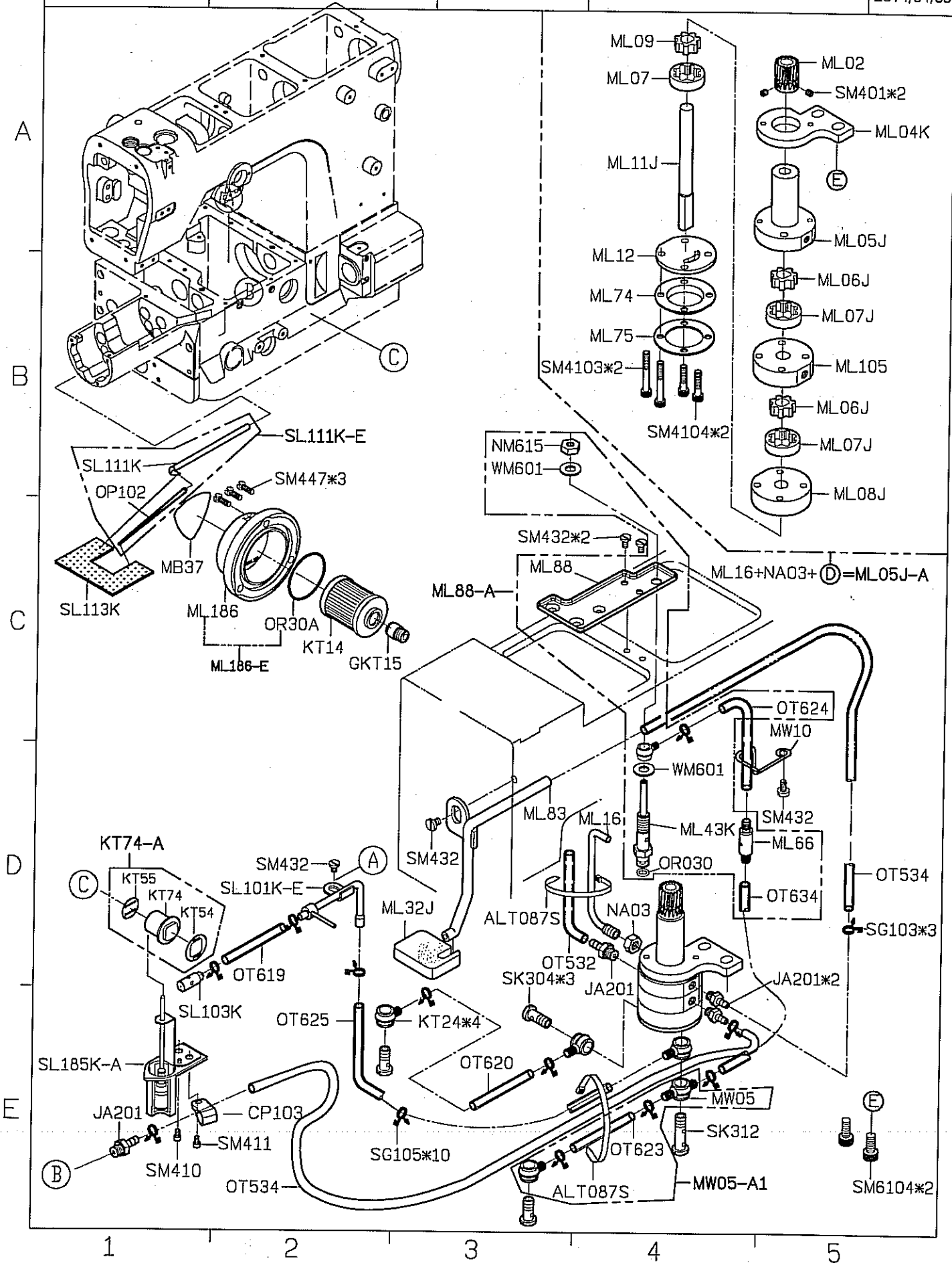
For S007K/S007KD 2nd Generation

Page

1/1

Date

2014/04/09



SIRUBA

PARTS LIST

Series

S007K/S007KD

Parts Group

SQ-K

Subclass / Remark

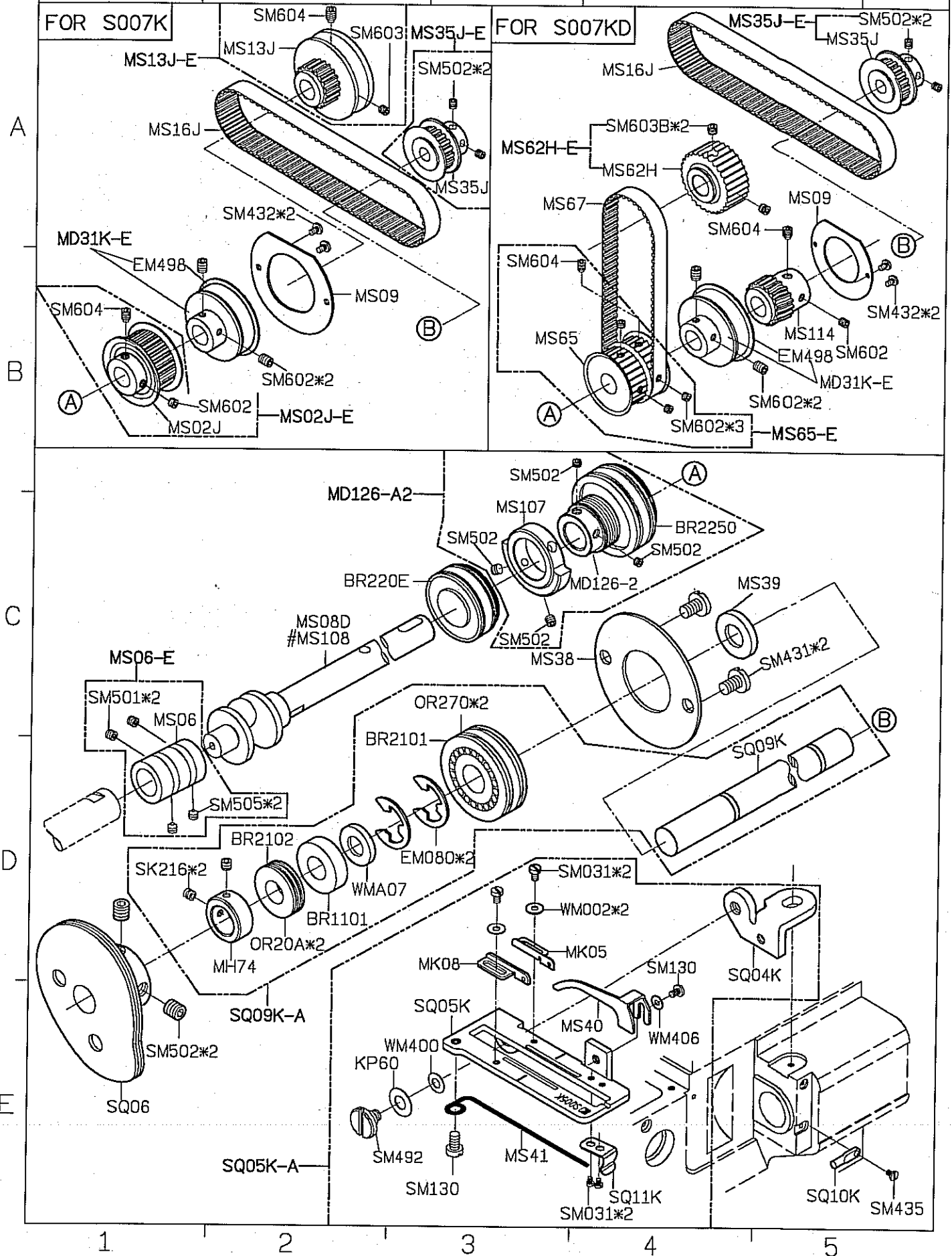
:Use for S007KD

Page

1/1

Date

2014/04/08



SIRUBA

PARTS LIST

Series

S007K/S007KD

Parts Group

SR-K

Subclass / Remark

For S007K/S007KD 2nd Generation

: Use for S007KD 2nd Generation

Δ : Use for SW

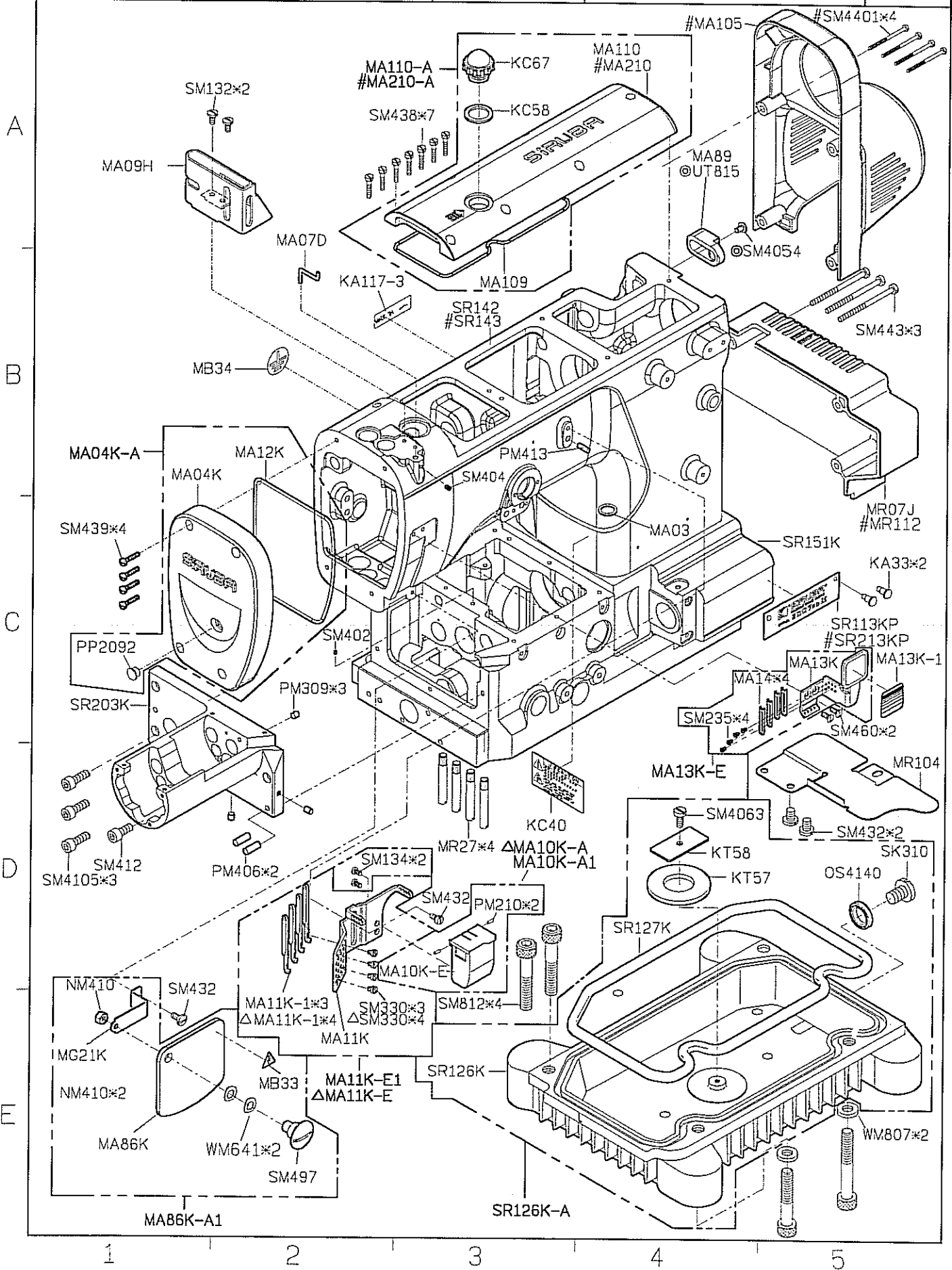
⊙ : Use for UT

Page

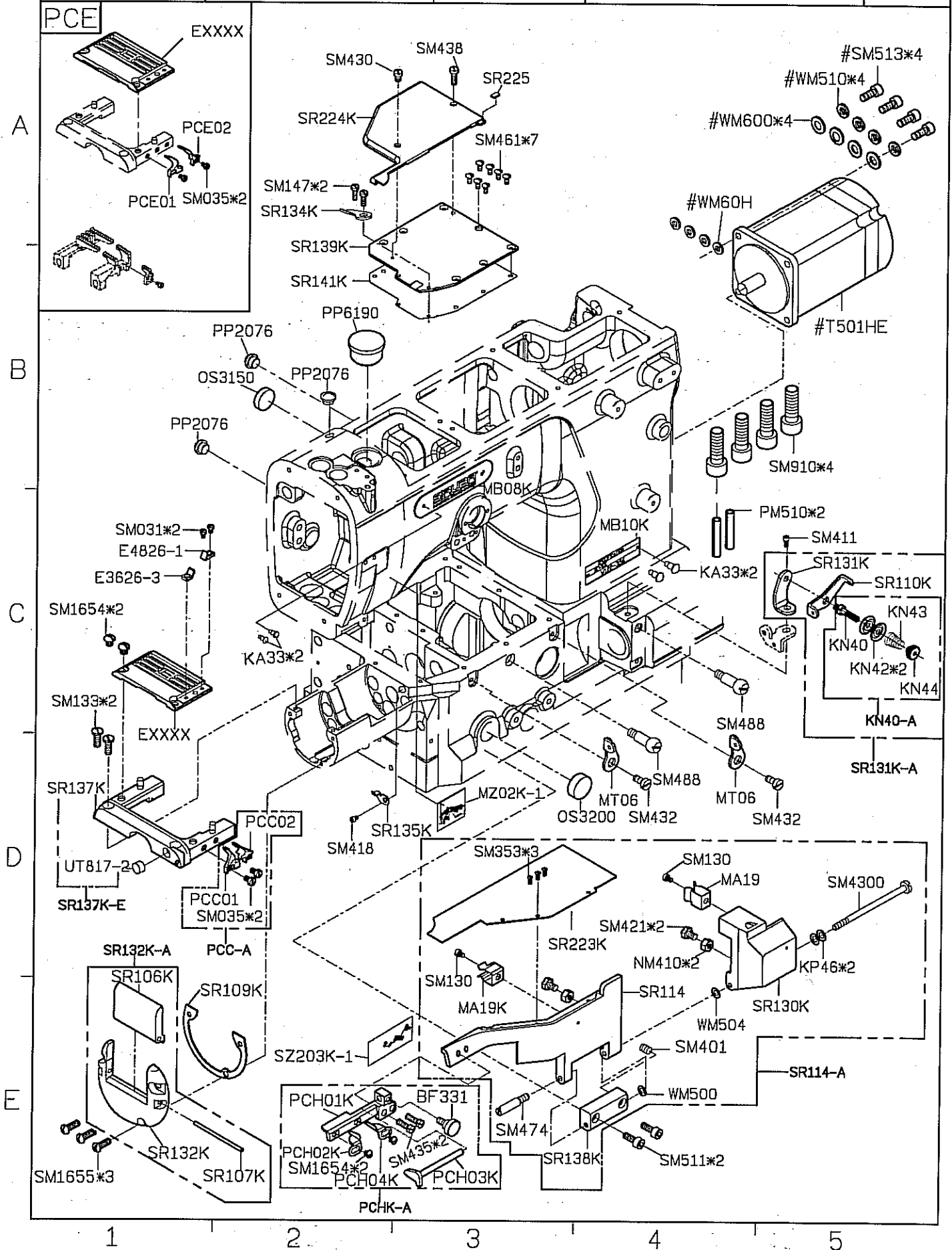
1/2

Date

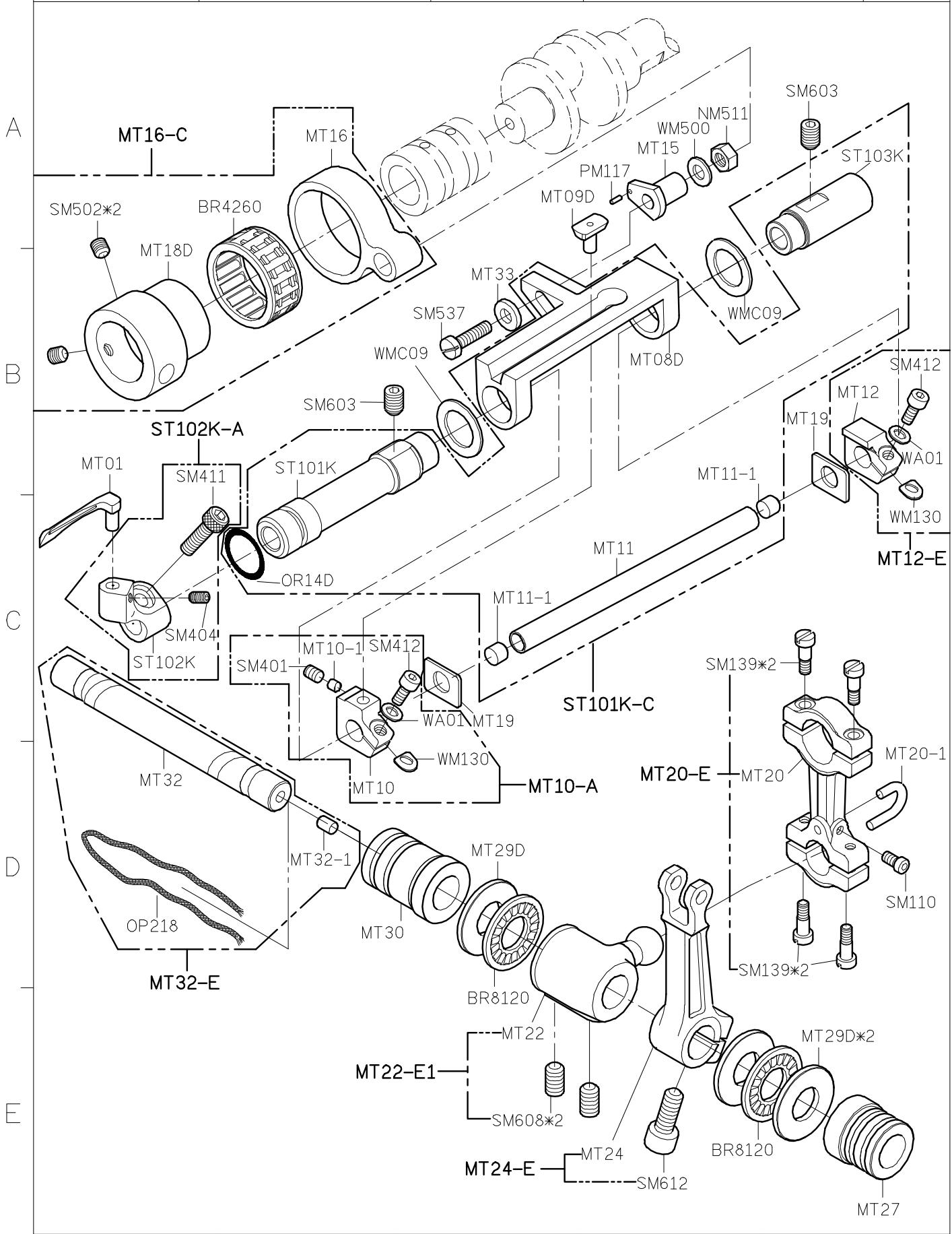
2013/07/10



SIRUBA PARTS LIST	Series	Parts Group	Subclass / Remark	Page
	S007K/S007KD	SR-K	For S007K/S007KD 2 nd Generation	2/2
			# :Use for S007KD 2 nd Generation	Date
				2014/02/12



SIRUBA PARTS LIST	Series	Parts Group	Subclass / Remark	Page
	S007K/S007KD	ST-K		1/1
				Date
				2012/10/31



1

2

3

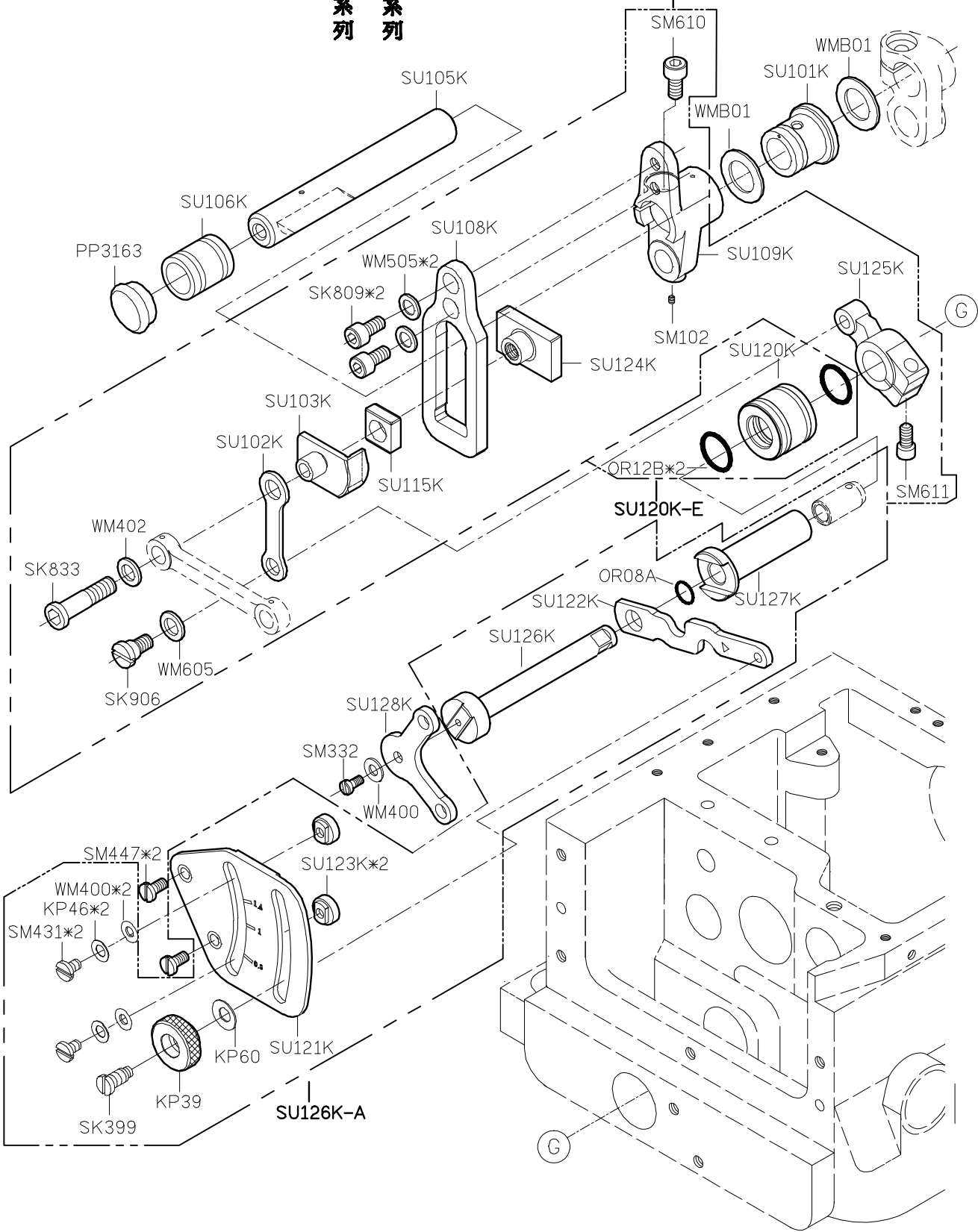
4

5

A
B
C
D
E

A + B = SU109K-A1
SU 系列
SS 系列

A SU109K-A1



1 2 3 4 5

SIRUBA

PARTS LIST

Series

S007K/S007KD

Parts Group

SV-K

Subclass / Remark

For **S007K/S007KD 2nd Generation**

Page

1/1

Date

2012/10/31

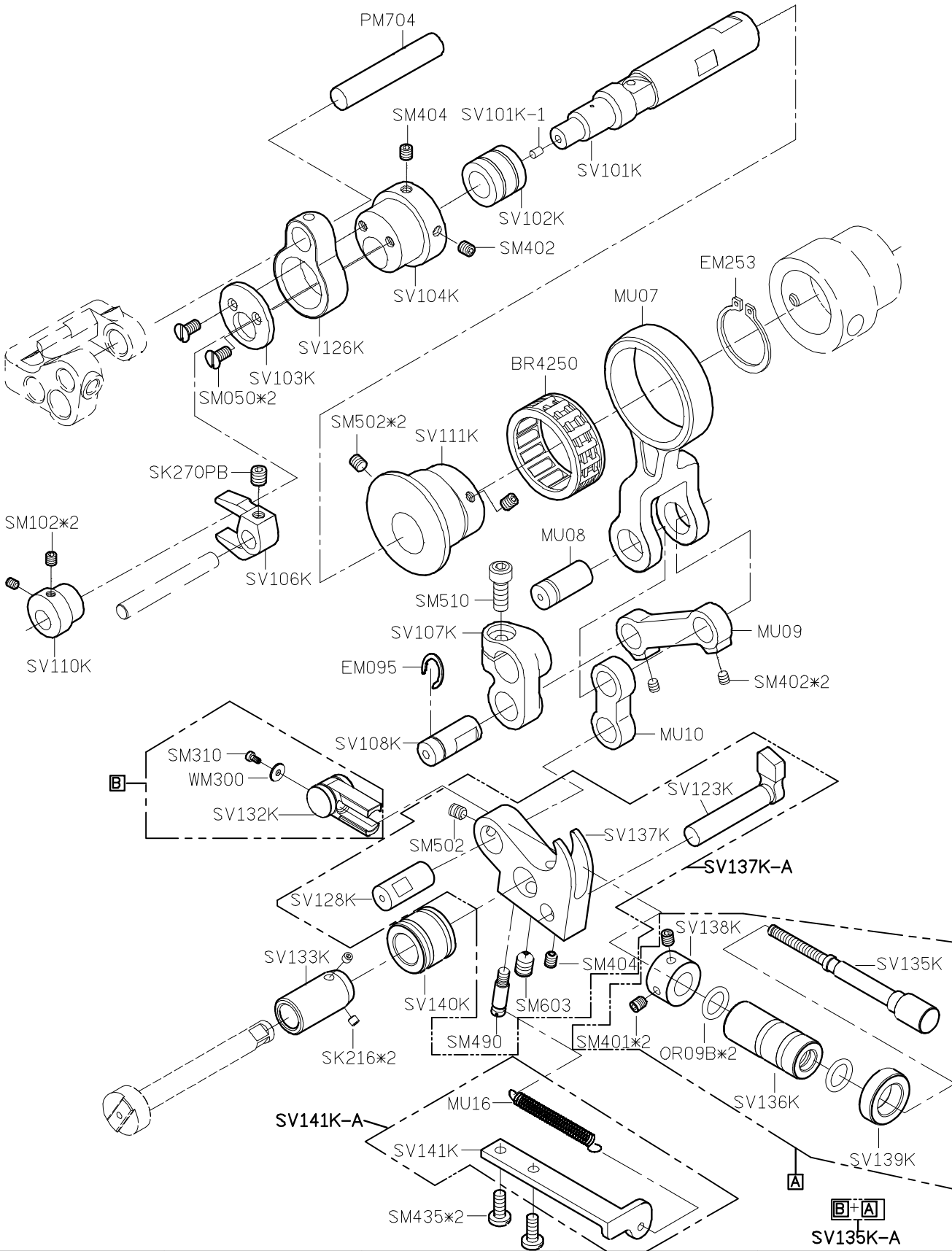
A

B

C

D

E



1

2

3

4

5

SIRUBA

PARTS LIST

Series

S007K/S007KD

Parts Group

SY-K

Subclass / Remark

For S007K/S007KD 2nd Generation

△ :Use for S007K

□ :Use for S007KD

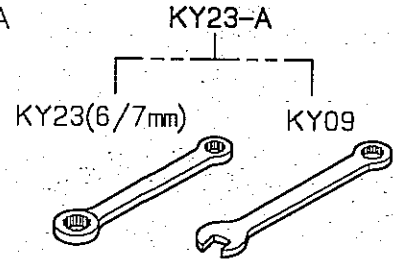
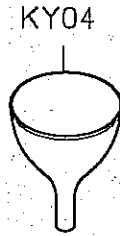
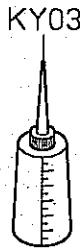
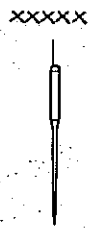
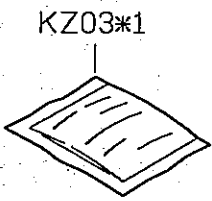
Page

1/1

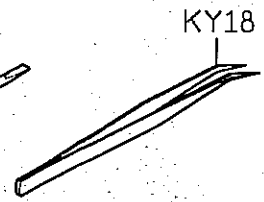
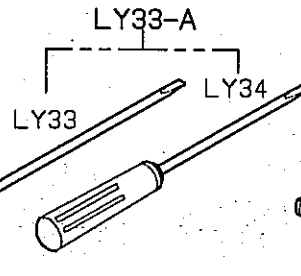
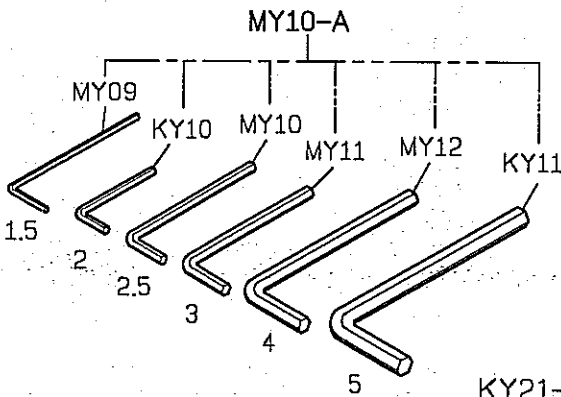
Date

2013/10/23

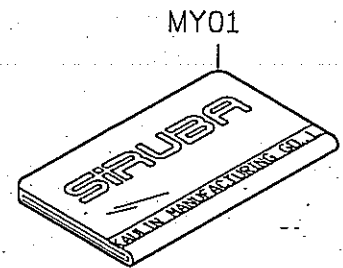
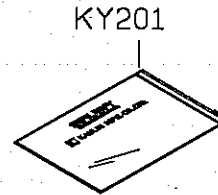
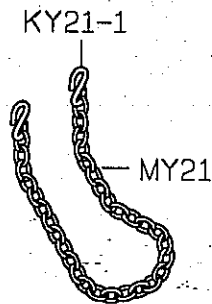
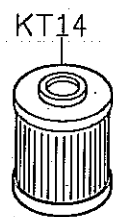
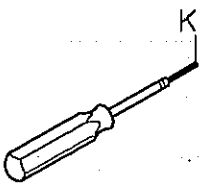
A



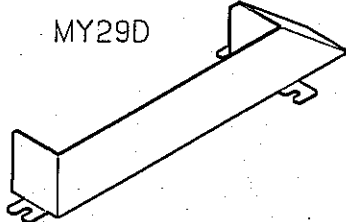
B



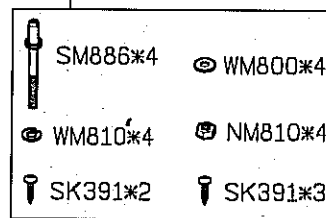
C



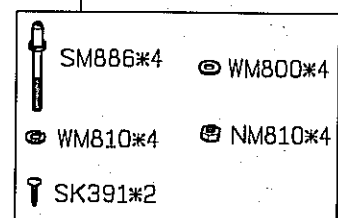
D



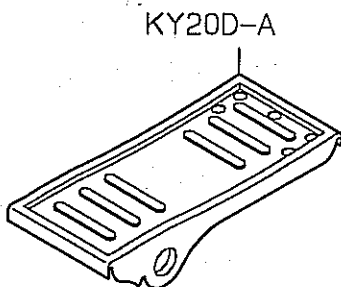
△ SM886-A



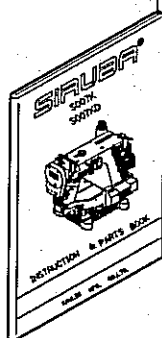
□ SM886-A1



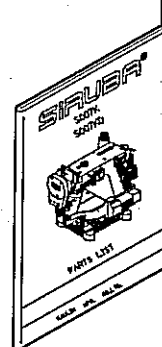
E



SY201K



SY202K



1

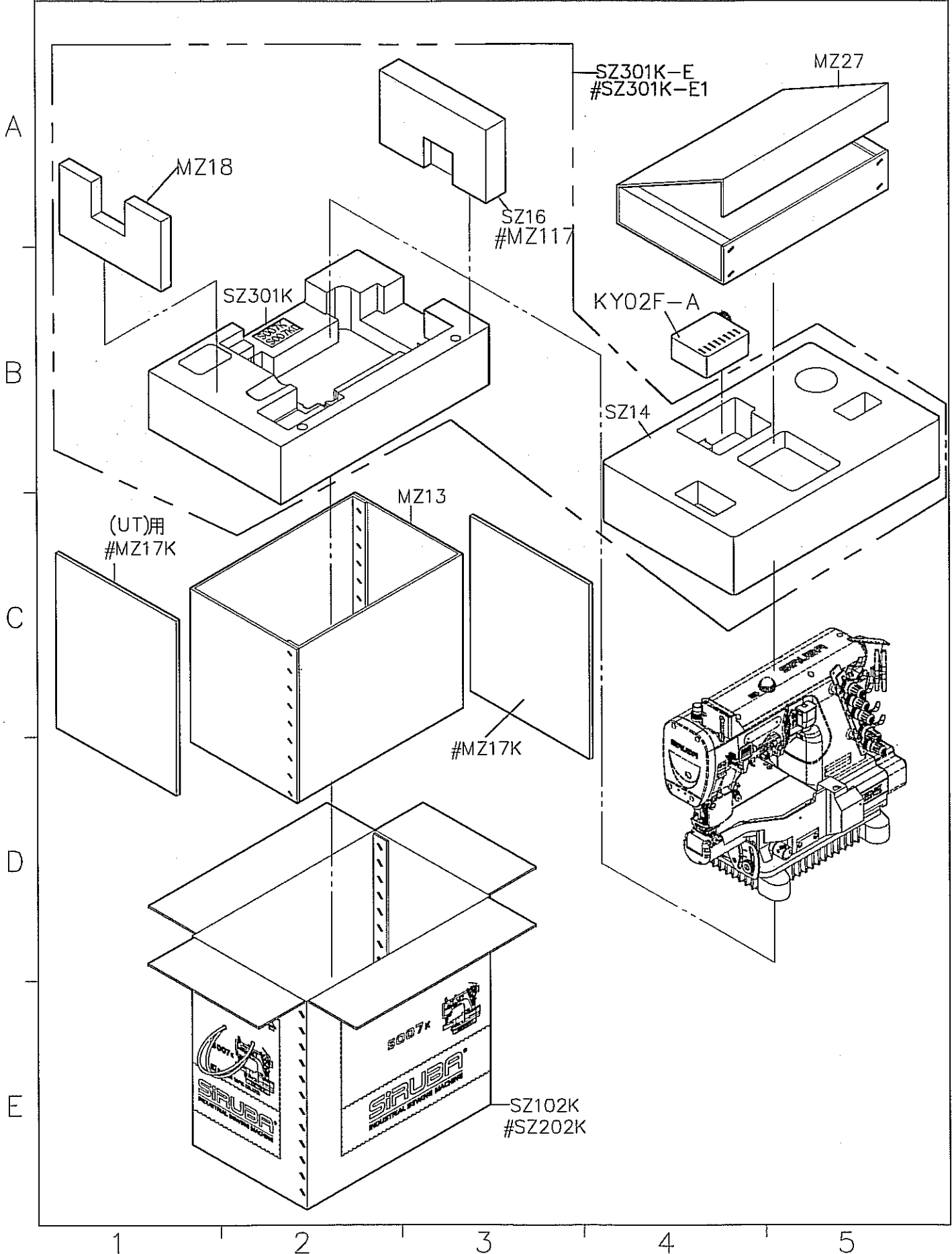
2

3

4

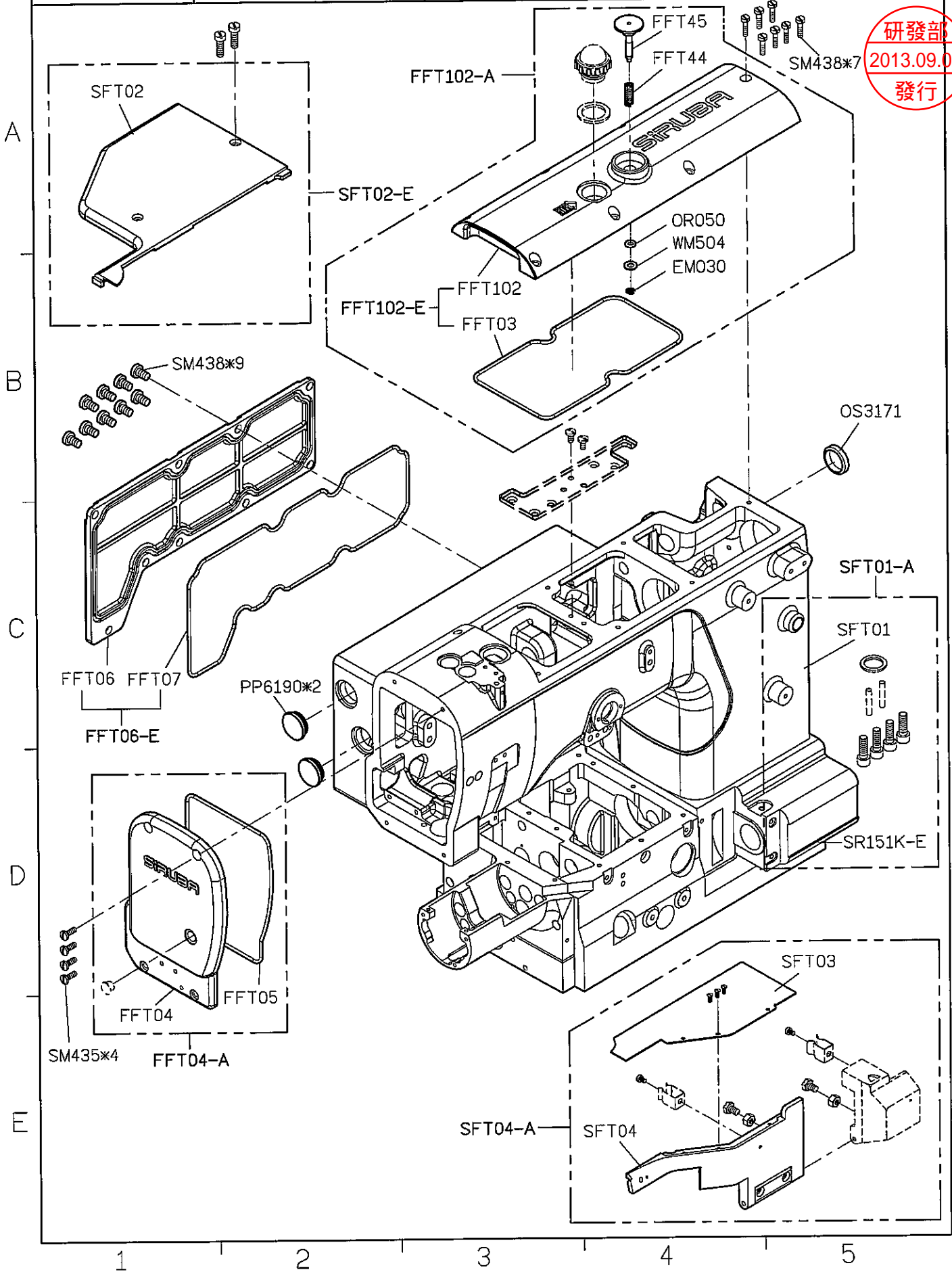
5

SIRUBA PARTS LIST	Series	Parts Group	Subclass / Remark	Page
	S007K/KD	SZ-K	For S007K/S007KD 2 nd Generation #:Use for S007KD 2 nd Generation	1/1 Date 2013/03/14

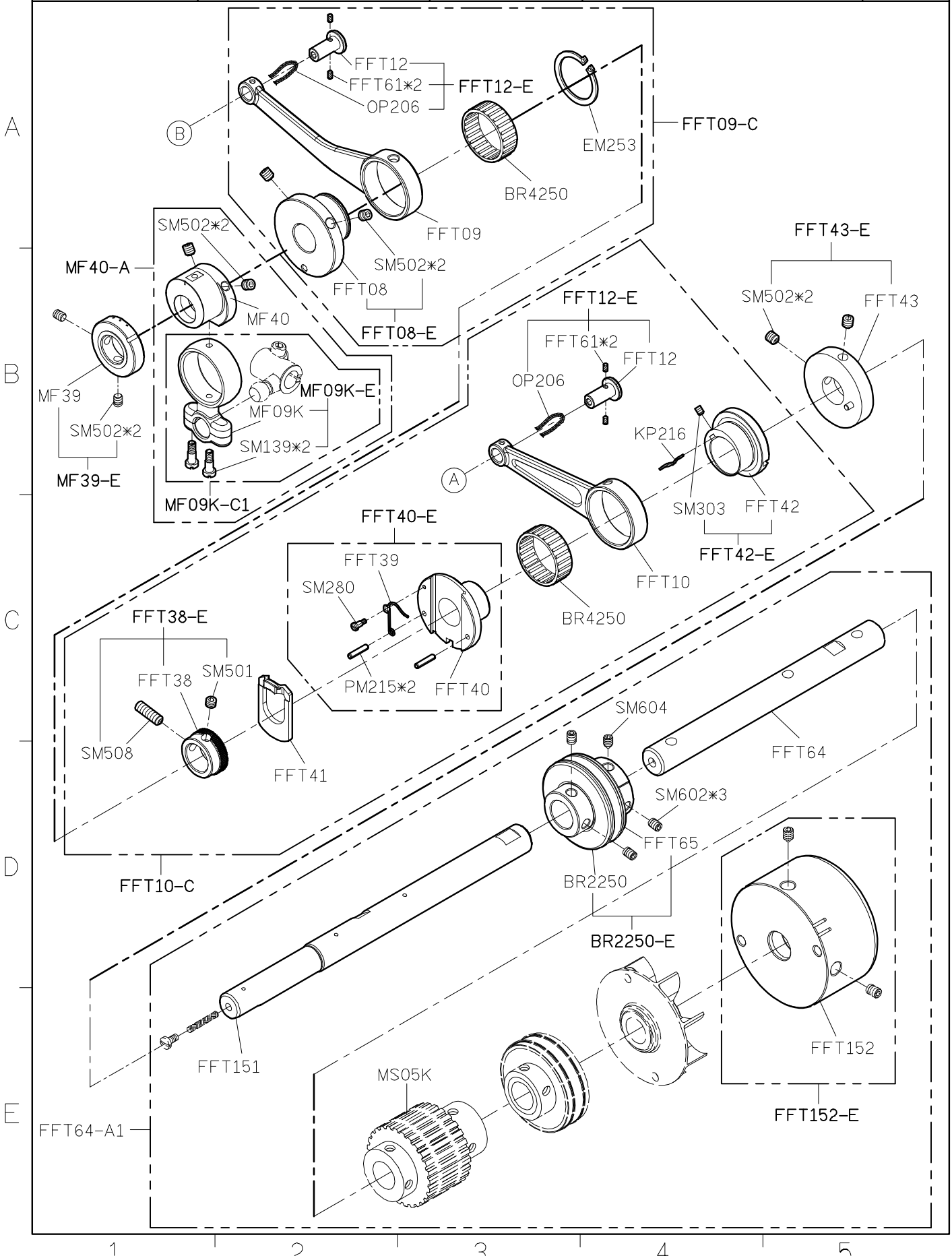


SIRUBA PARTS LIST	Series	Parts Group	Subclass / Remark	Page
	S007KD	FFT		1/7
				Date
				2013/09/02

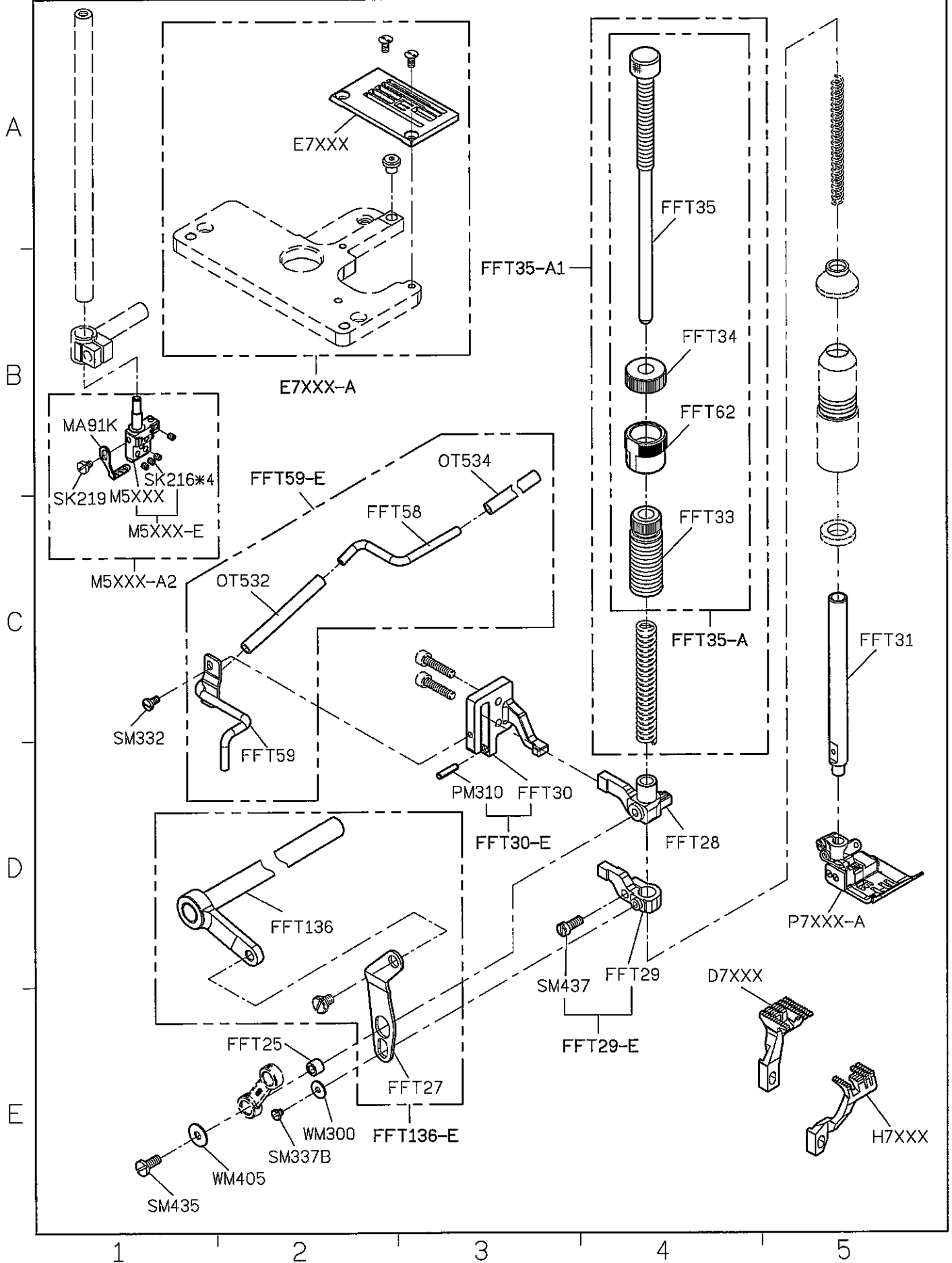
研發部
 2013.09.02
 發行



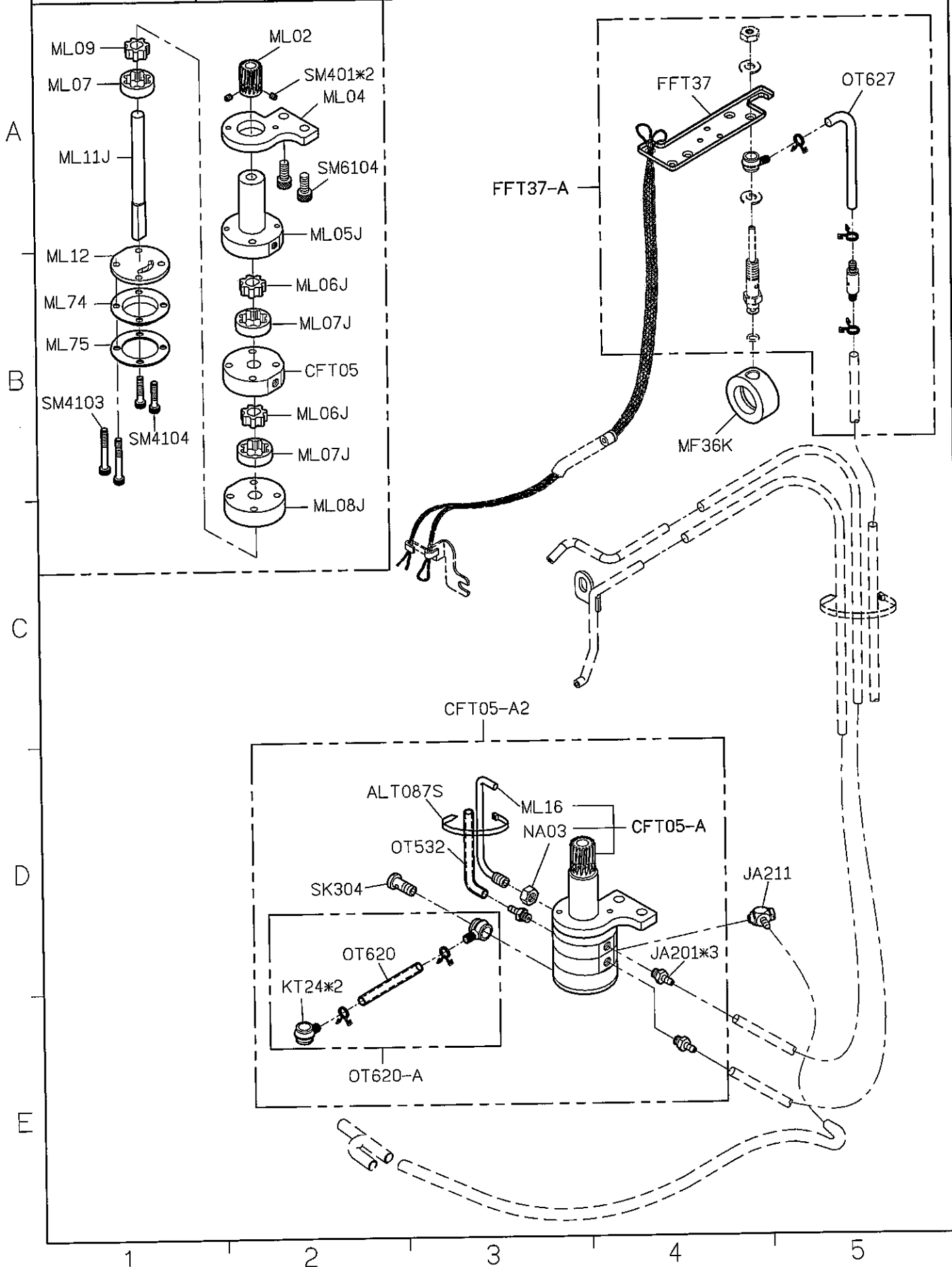
SIRUBA PARTS LIST	Series	Parts Group	Subclass / Remark	Page
	S007KD	FFT		3/7
				Date
				2012/12/25



SIRUBA PARTS LIST	Series	Parts Group	Subclass / Remark	Page
	S007KD	FFT		4/7
				Date
				2013/08/14



SIRUBA PARTS LIST	Series	Parts Group	Subclass / Remark	Page
	S007KD	FFT	研發部 2013.08.27 發行	5/7 Date 2013/08/27



1 2 3 4 5

SIRUBA PARTS LIST	Series	Parts Group	Subclass / Remark	Page
	S007KD	FFT	Use for UT	6/7
				Date
				2014/03/10

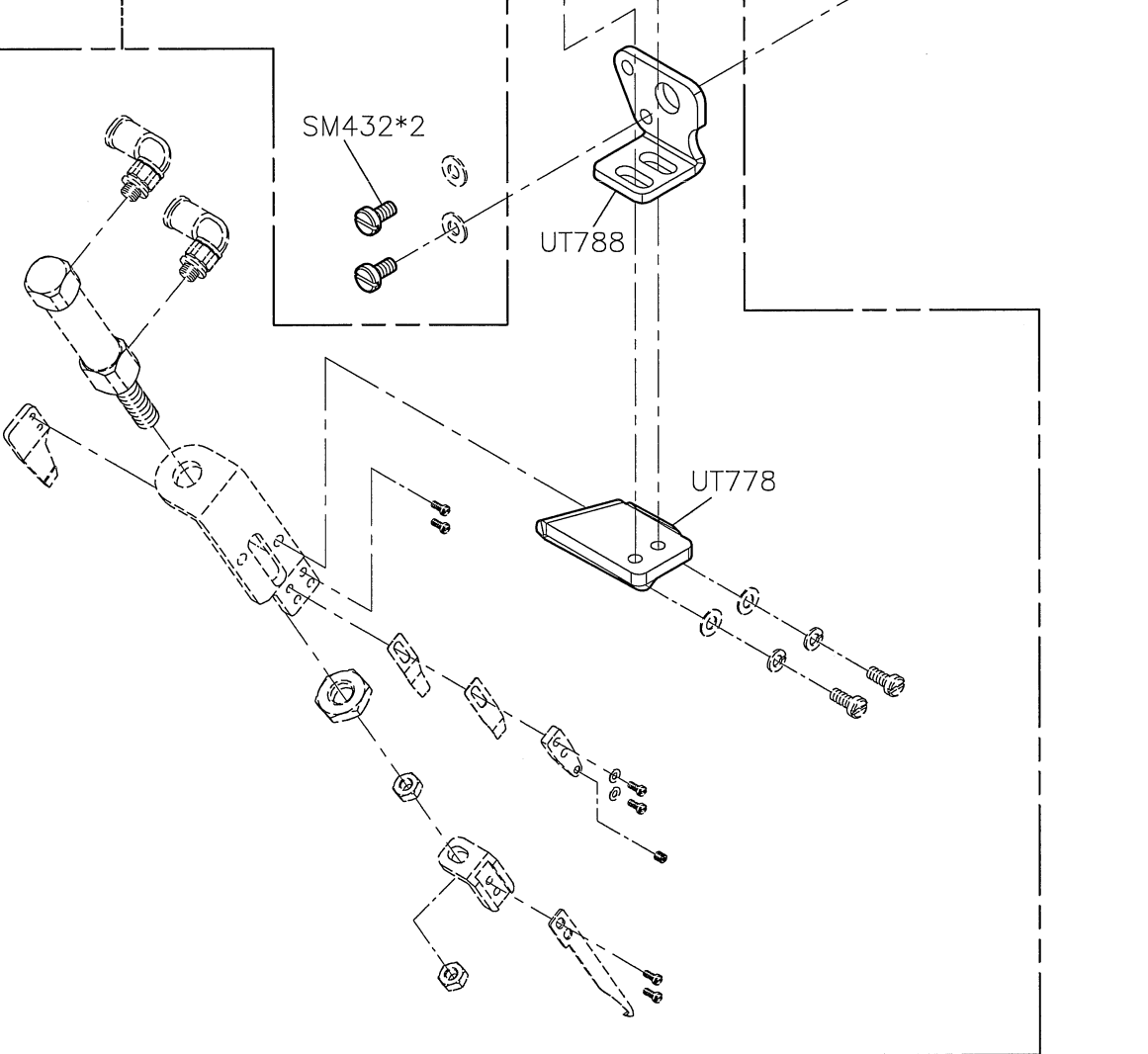
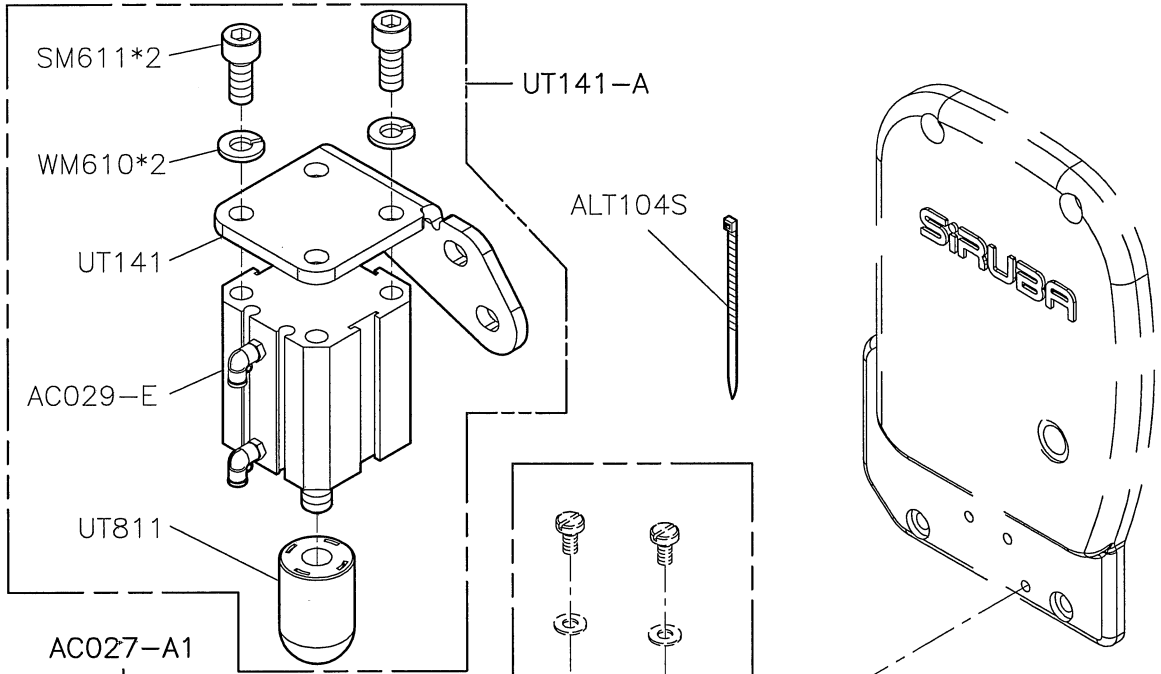
A

B

C

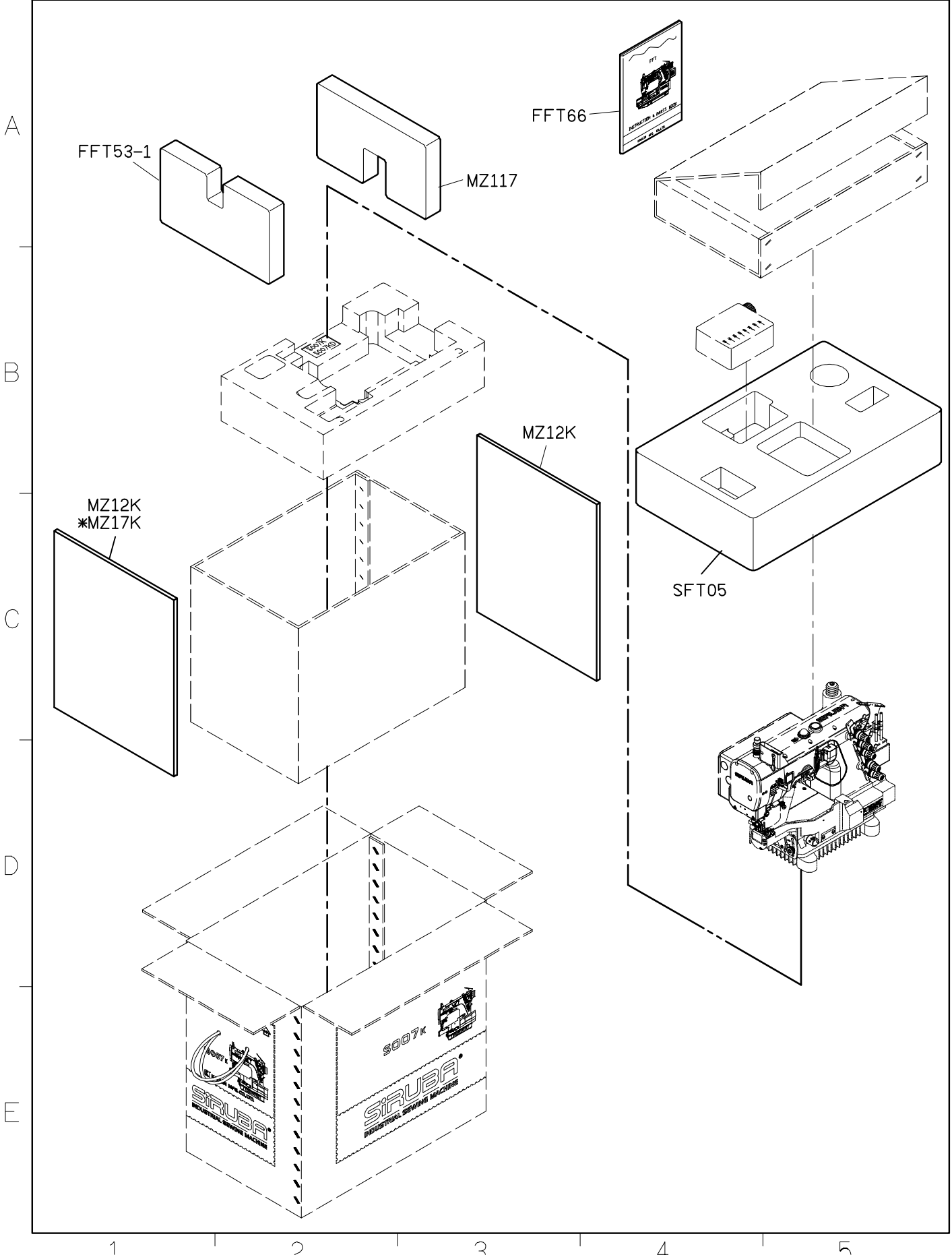
D

E



1 2 3 4 5

SIRUBA PARTS LIST	Series	Parts Group	Subclass / Remark	Page
	S007KD	FFT	* Use for UT	7/7
				Date
				2012/12/25



SIRUBA PARTS LIST	Series	Parts Group	Subclass / Remark	Page
	S007K/S007KD	SAR	For S007K/S007KD 2 nd Generation add SAR to the type UT ☐ : Use for H brand motor (HVP-20)	1/2 Date 2013/03/28

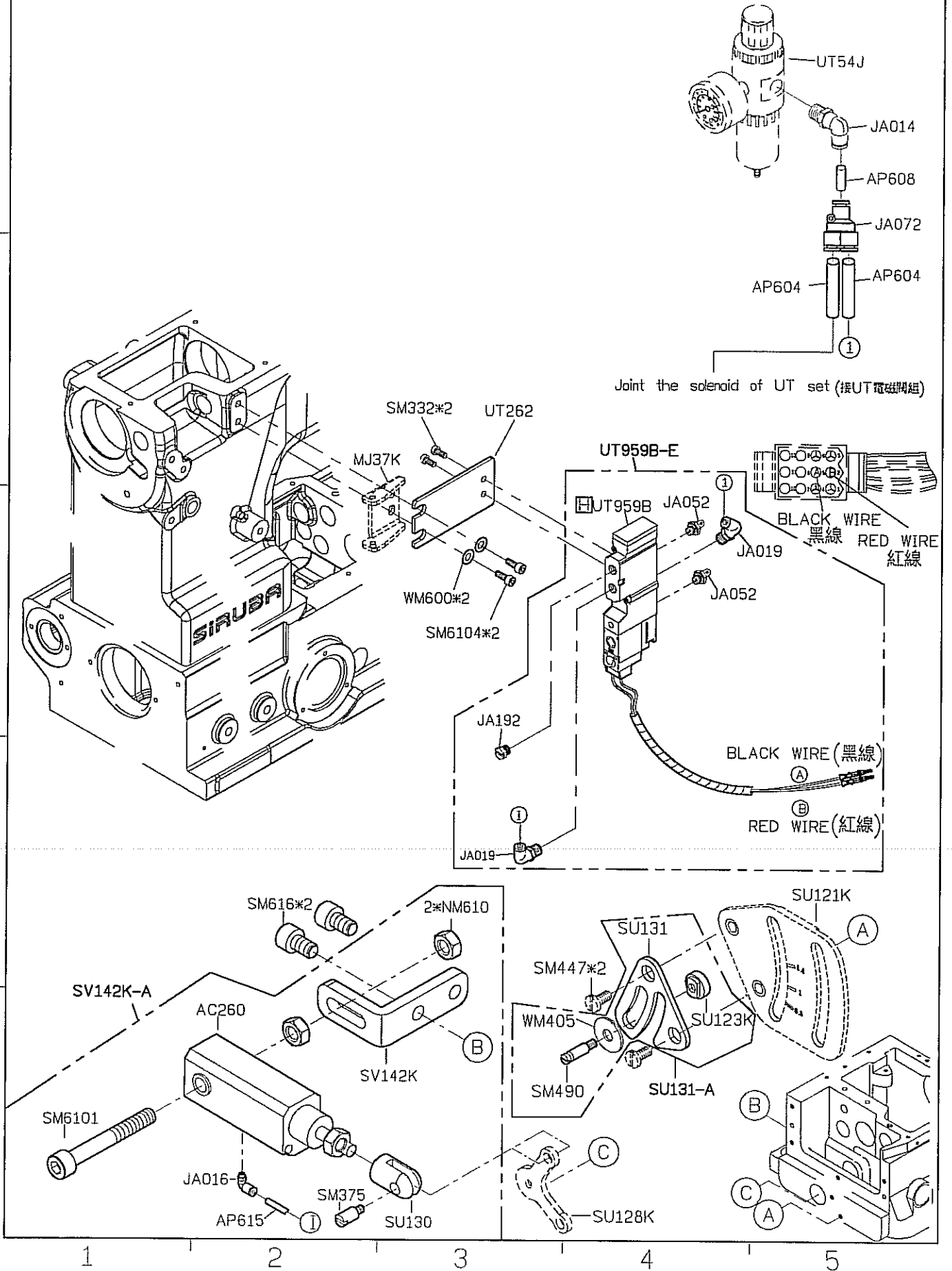
A

B

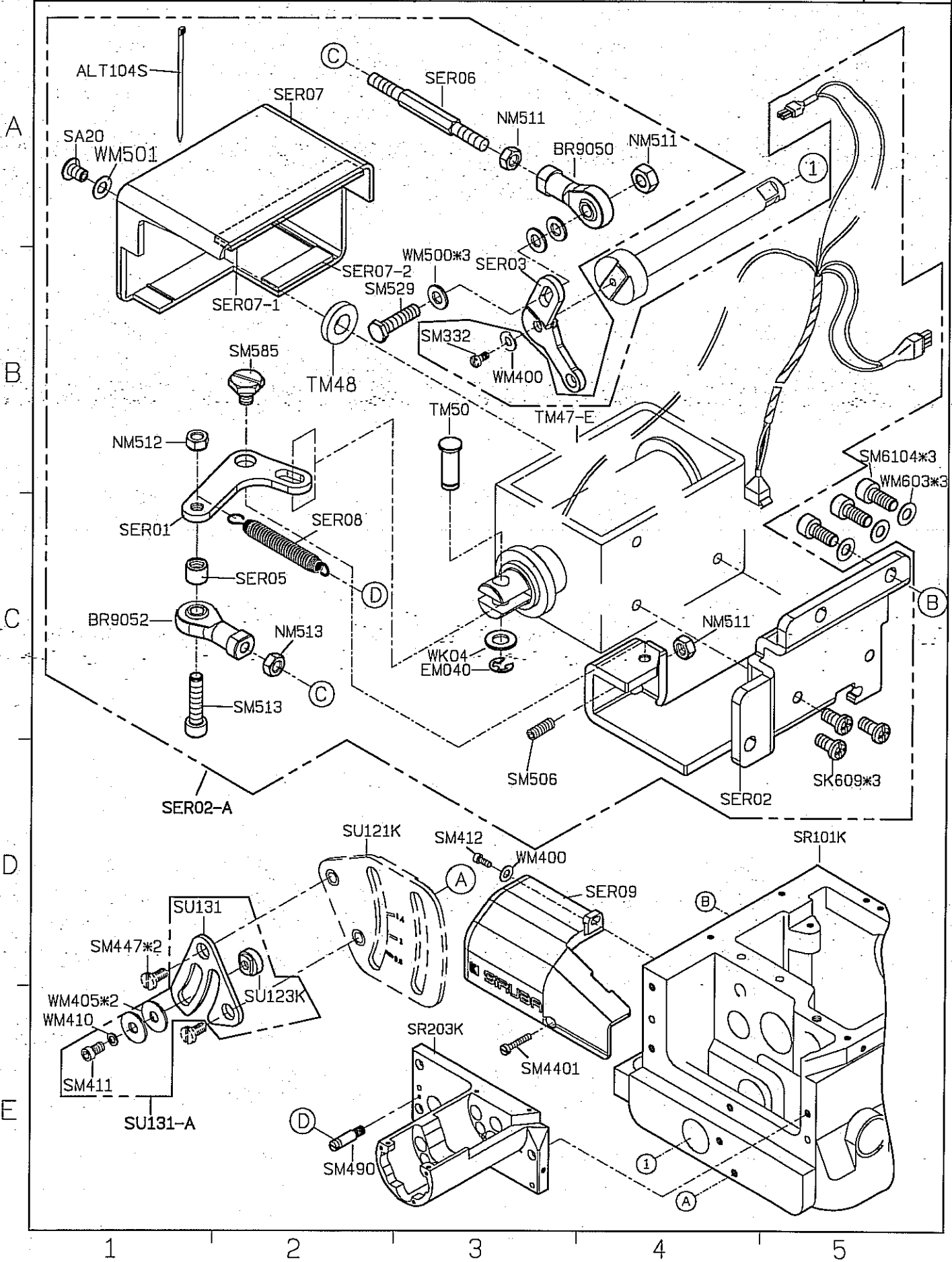
C

D

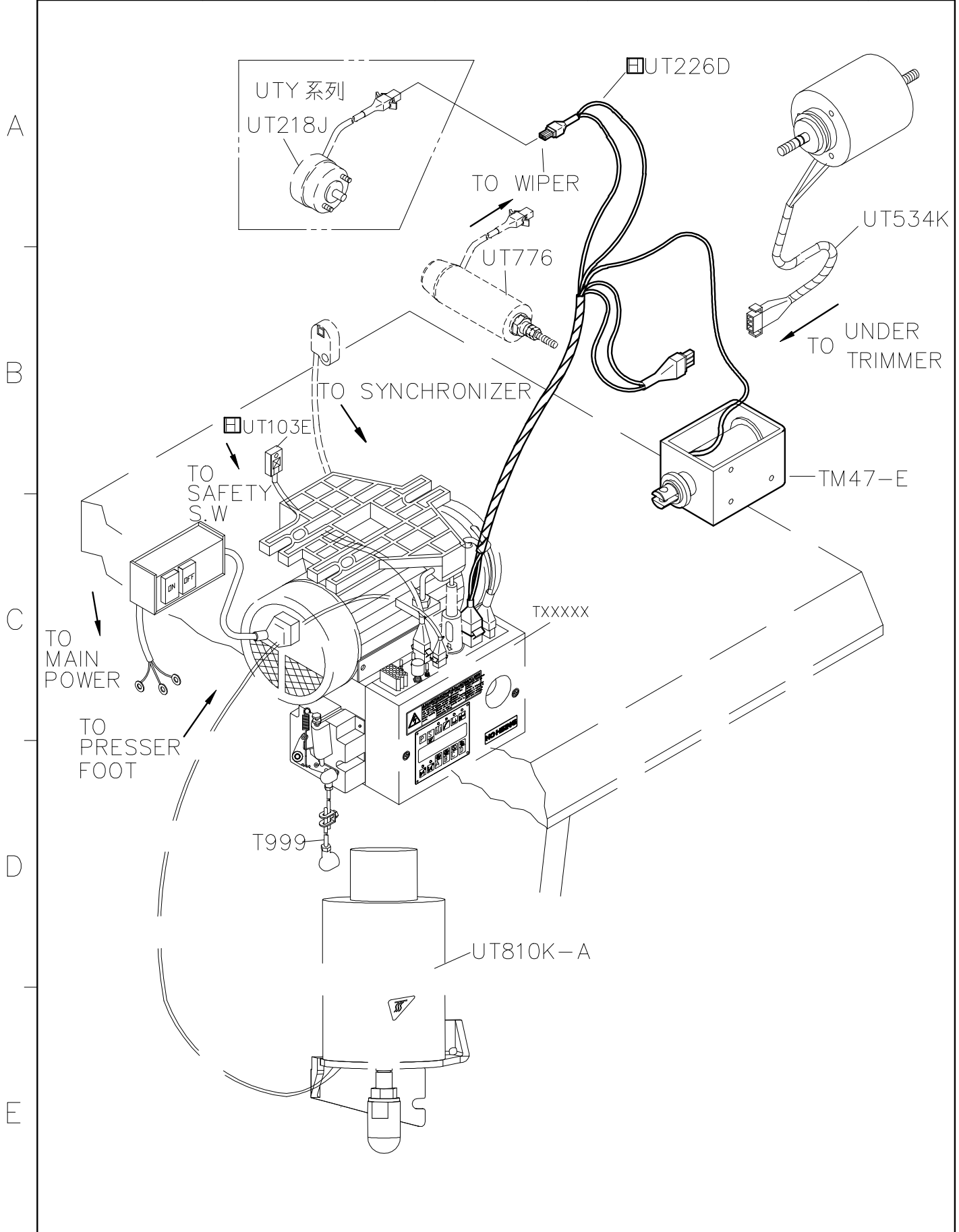
E



SIRUBA PARTS LIST	Series	Parts Group	Subclass / Remark	Page
	S007K/S007KD	SER		1/4
				Date
				2013/10/24



SIRUBA PARTS LIST	Series	Parts Group	Subclass / Remark	Page
	S007K/S007KD	SER	☐ : Use for H牌馬達	2/4
				Date
				2012/10/08



SIRUBA PARTS LIST	Series	Parts Group	Subclass / Remark	Page
	S007K/S007KD	SER	☐ : Use for H牌馬達	3/4
				Date
				2012/10/08

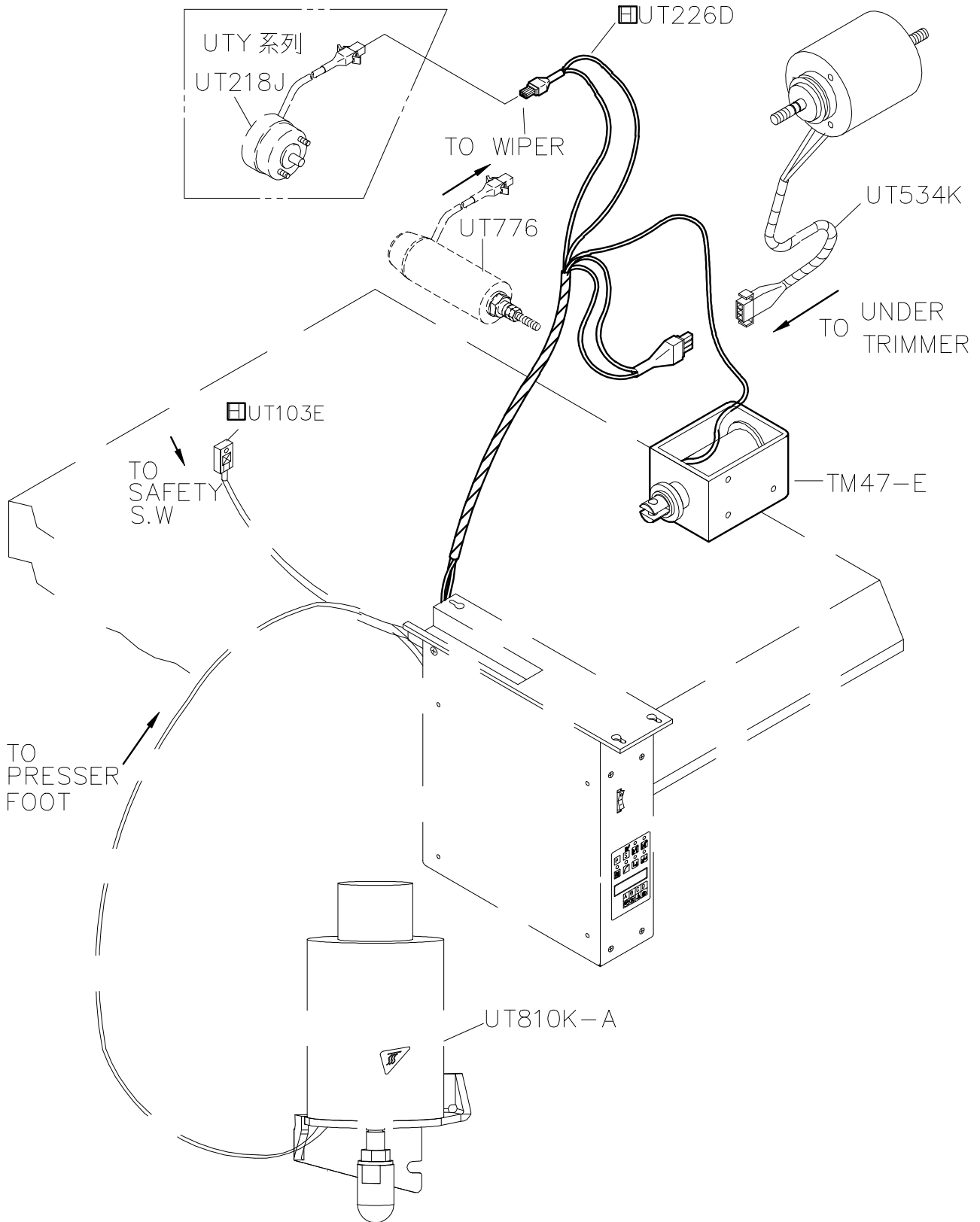
A

B

C

D

E



1

2

3

4

5

SIRUBA PARTS LIST	Series	Parts Group	Subclass / Remark	Page
	S007K/S007KD	SER	☐ : Use for H牌馬達	4/4
				Date
				2012/10/08

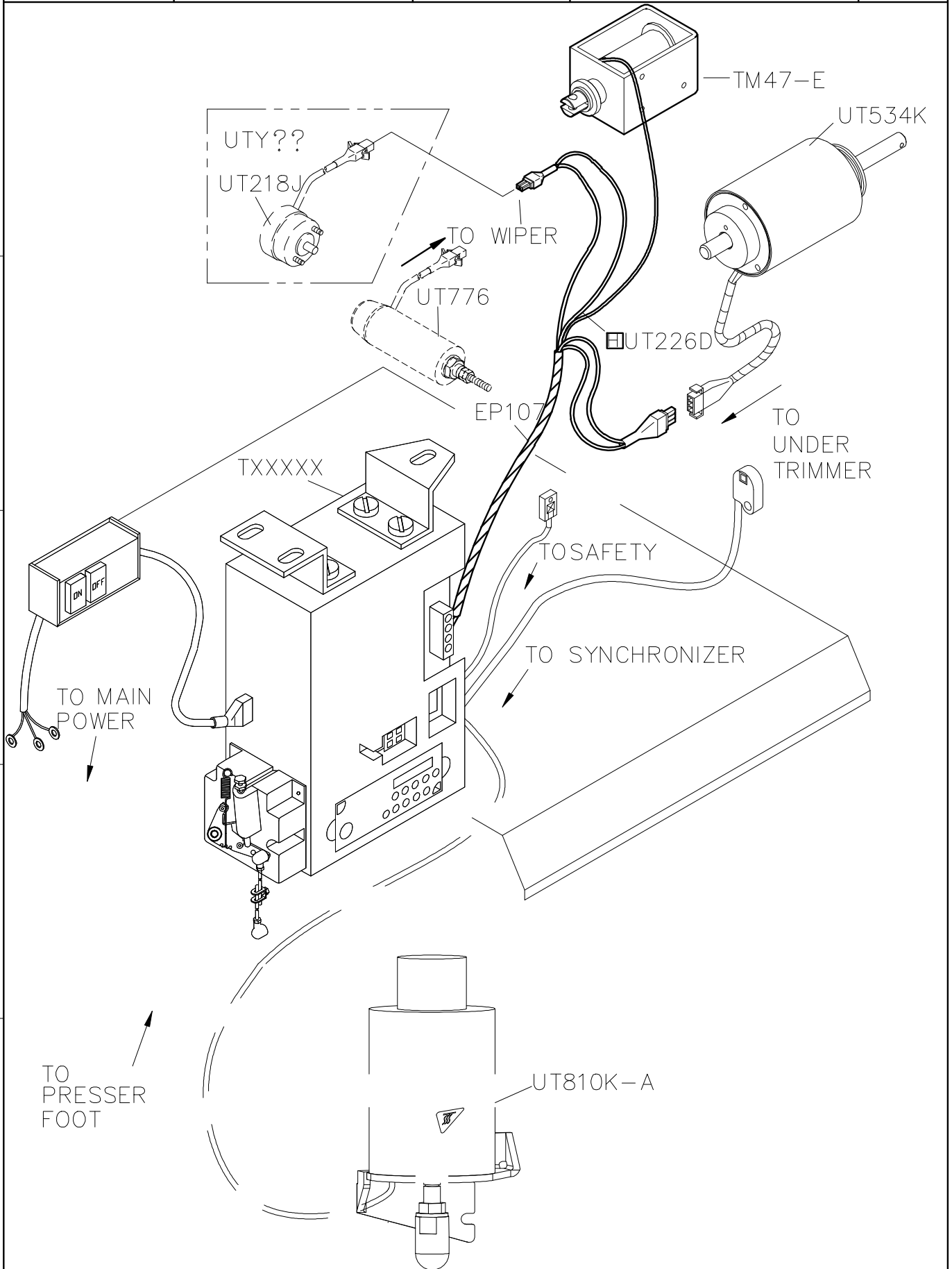
A

B

C

D

E



1

2

3

4

5

SIRUBA

PARTS LIST

Series

S007K/S007KD

Parts Group

UTT(UTU)-K

Subclass / Remark

For S007K/S007KD 2nd Generation

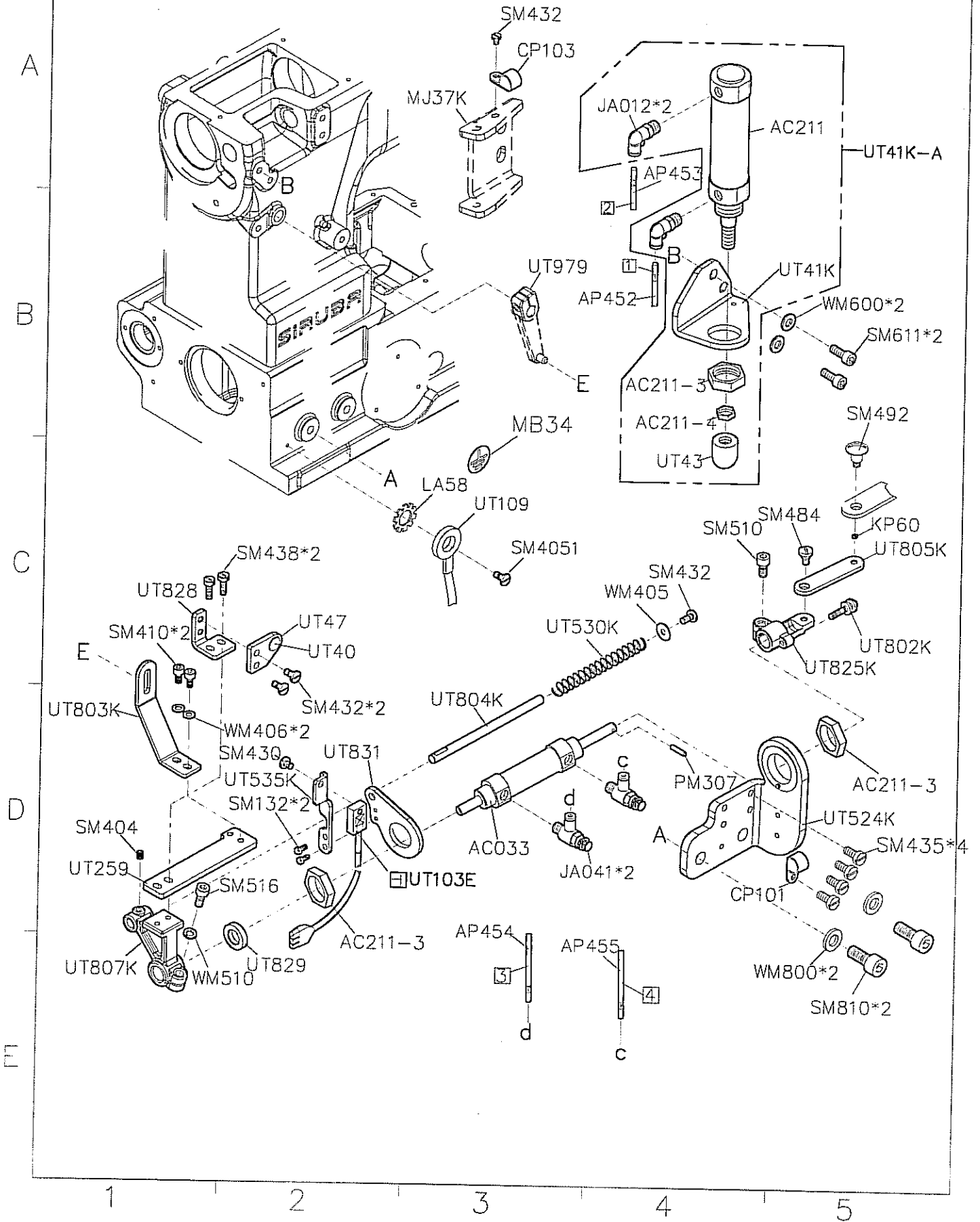
☐ : Use for H brand motor

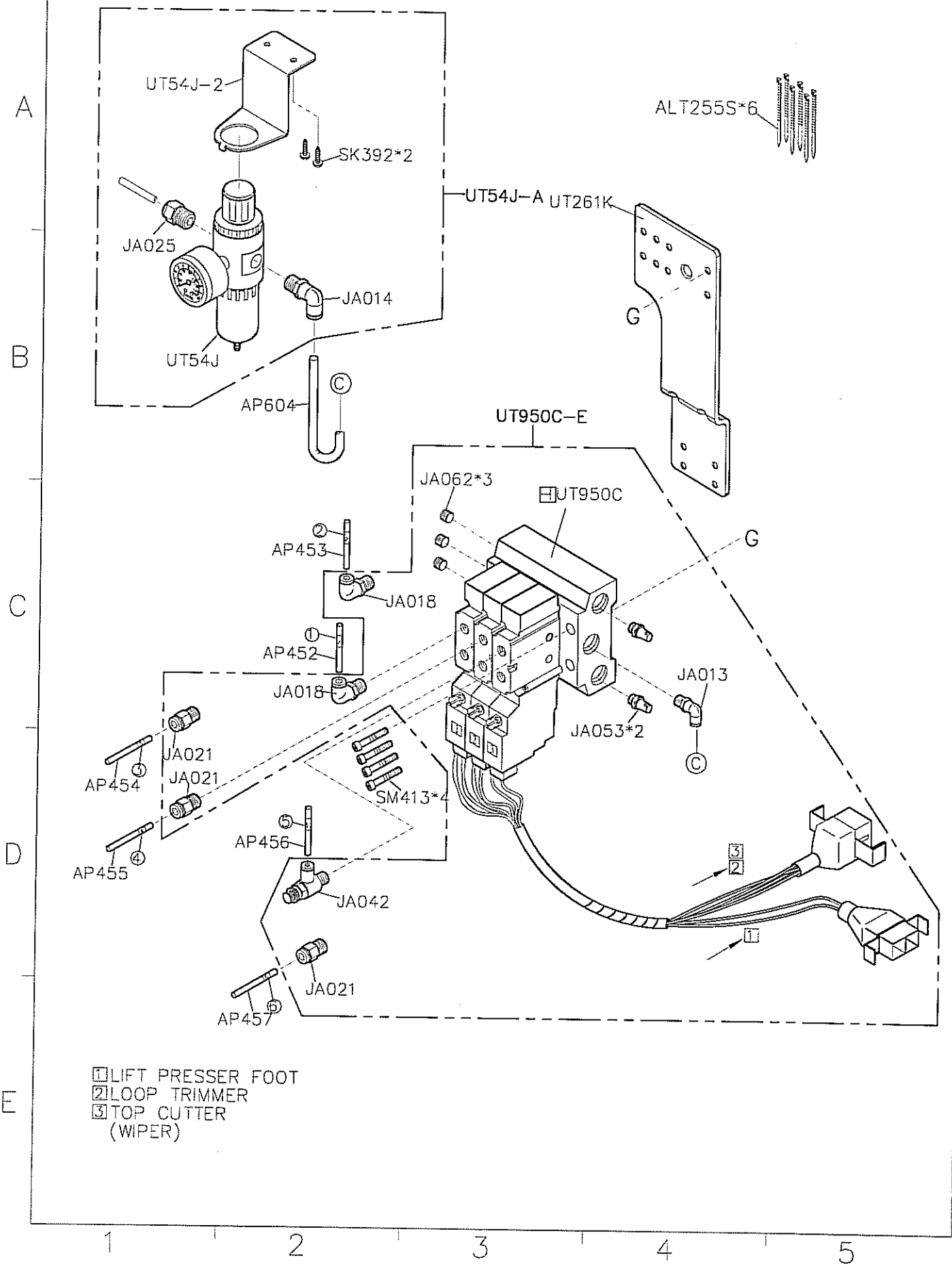
Page

2/11

Date

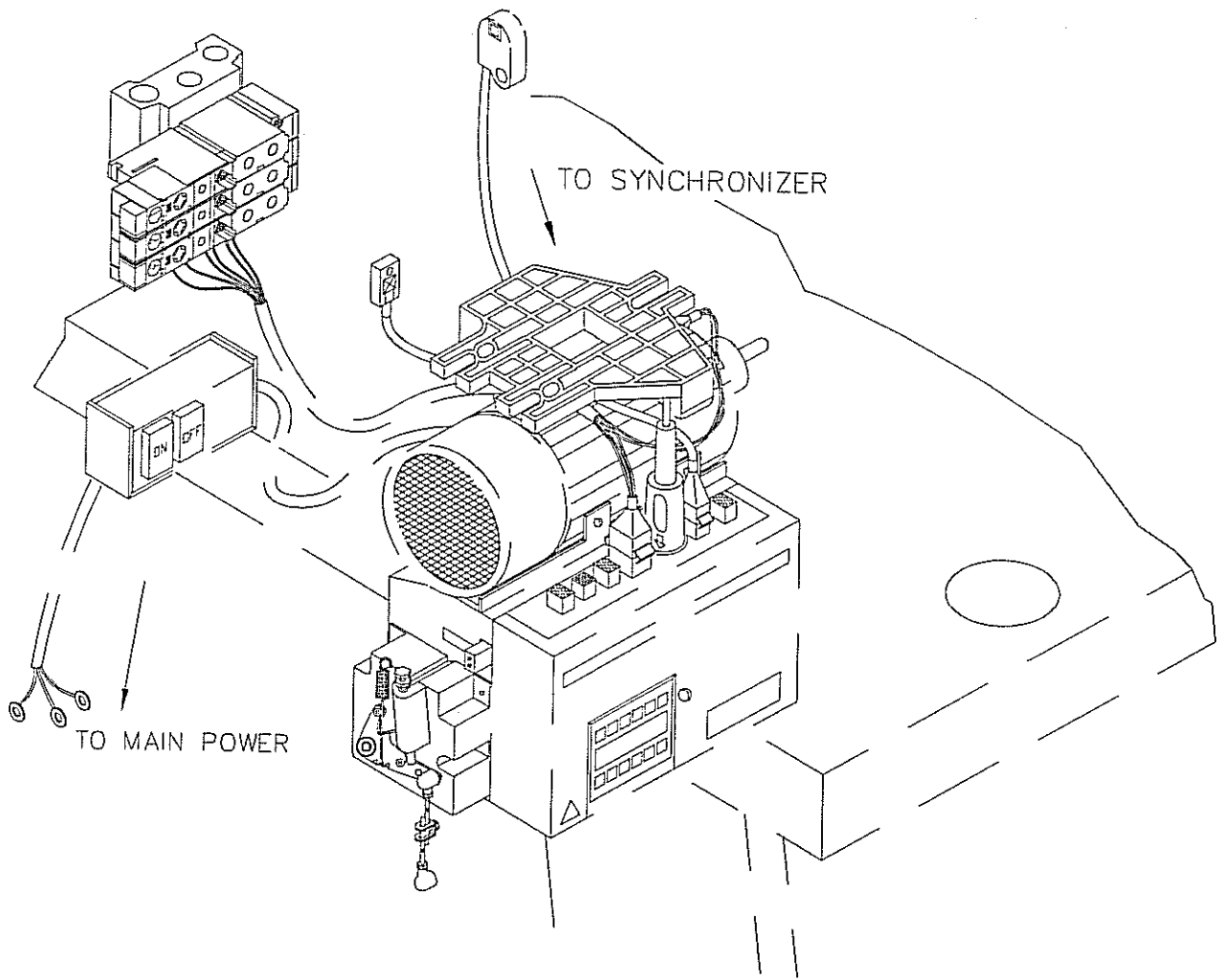
2013/08/06





SIRUBA PARTS LIST	Series	Parts Group	Subclass / Remark	Page
	S007K/S007KD	UTT(UTU)-K	For S007K	4/11
				Date
				2013/08/06

A
B
C
D
E



1 2 3 4 5

SIRUBA

Series

Parts Group

Subclass / Remark

Page

PARTS LIST

S007K/S007KD

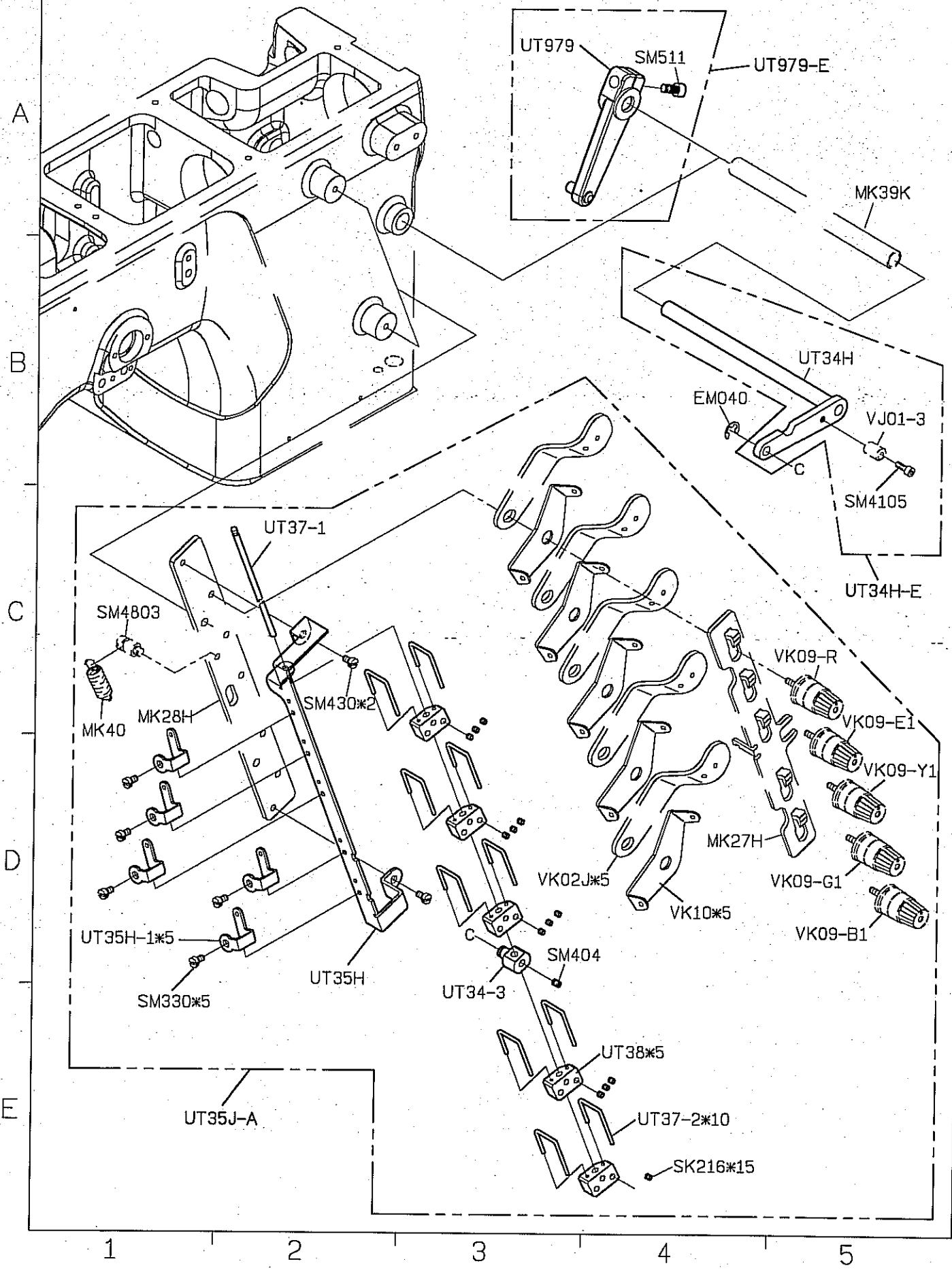
UTT(UTU)-K

For S007K/S007KD 2nd Generation

5/11

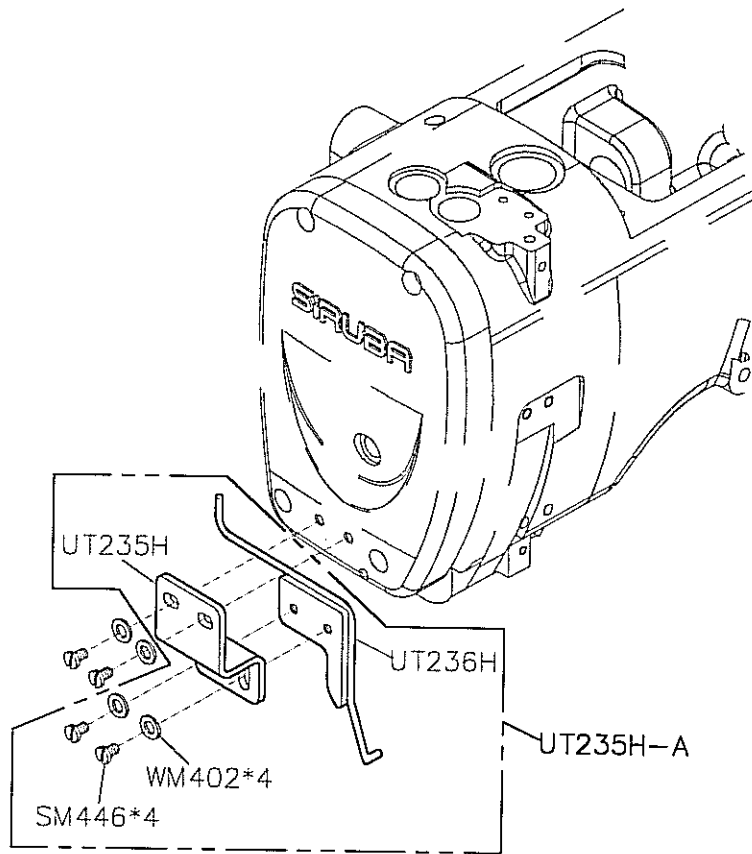
Date

2013/10/16

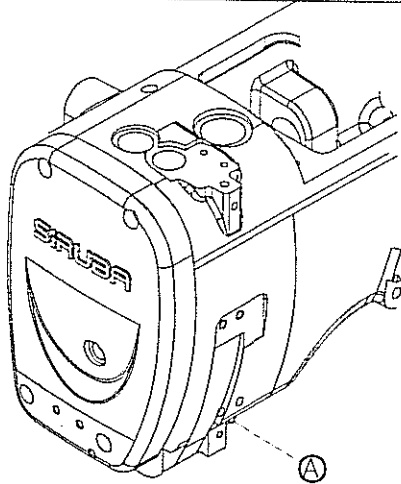


SIRUBA PARTS LIST	Series	Parts Group	Subclass / Remark	Page
	S007K/S007KD	UTU-K		6/11
				Date
				2013/08/06

FOR LEFT SIDE

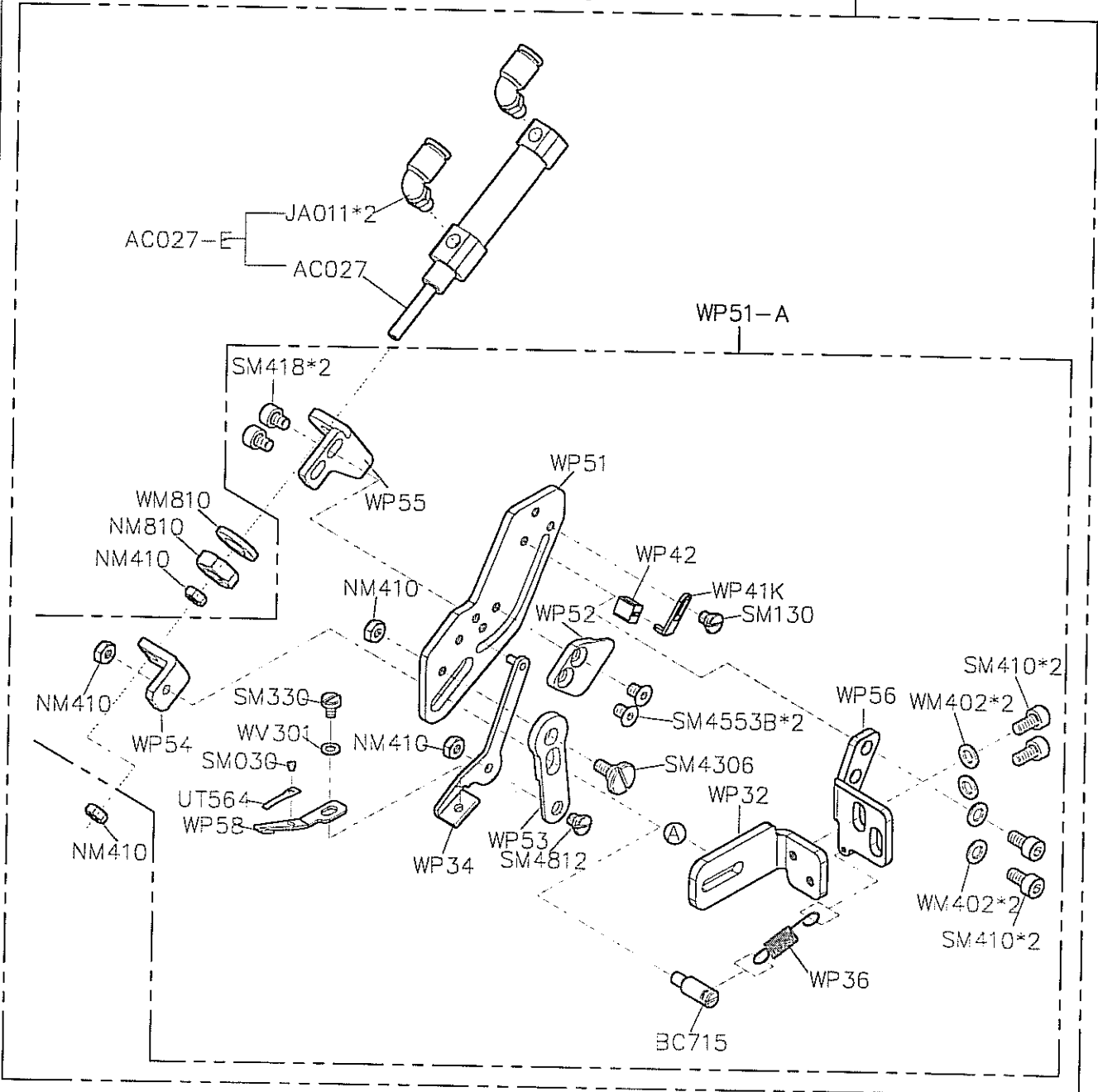


SIRUBA PARTS LIST	Series	Parts Group	Subclass / Remark	Page
	S007K/S007KD	UTU-K1	For allocation	7/11
				Date
				2013/08/06

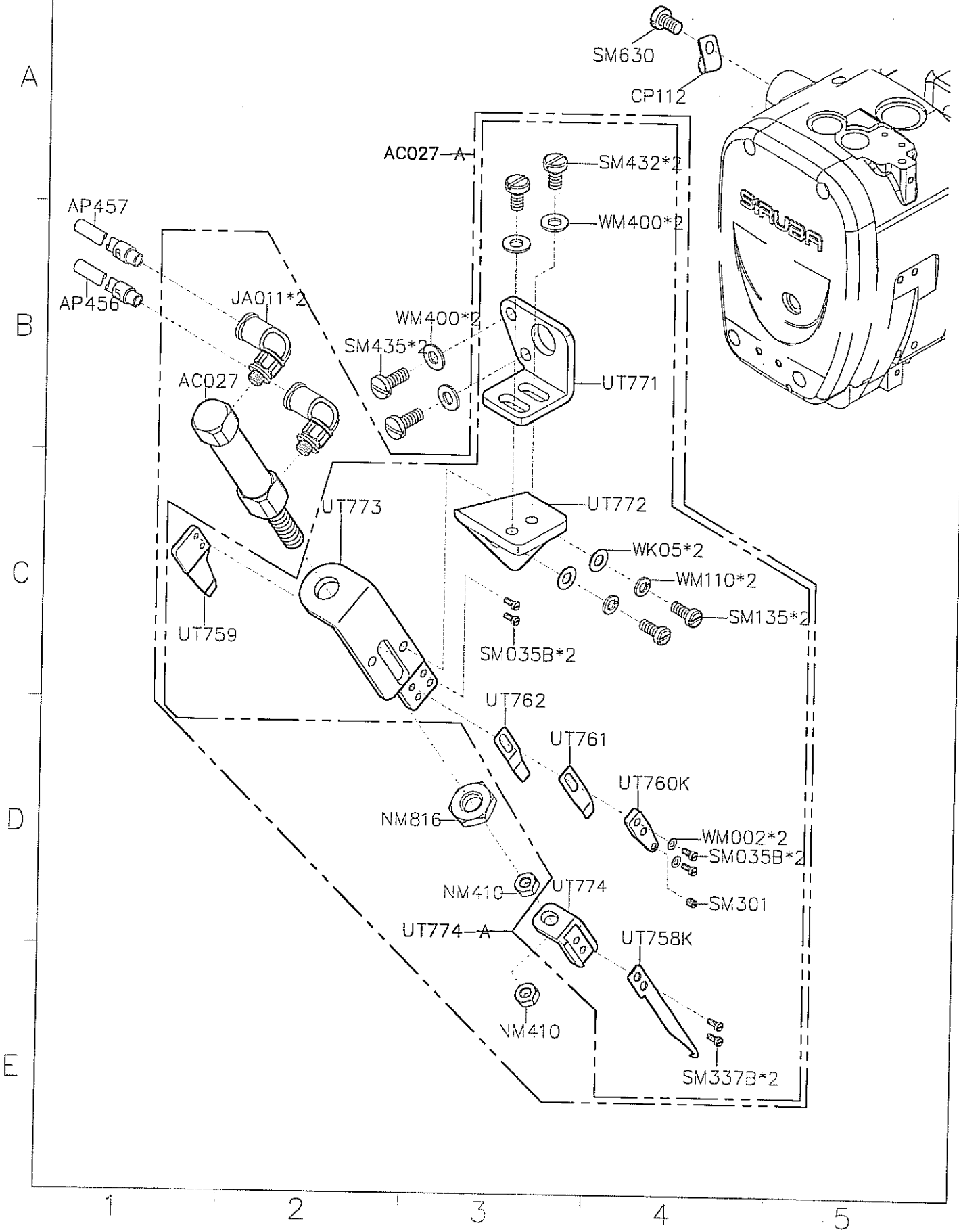


WP51-A1

A
B
C
D
E



1 2 3 4 5



SIRUBA

PARTS LIST

Series

S007K/S007KD

Parts Group

UTT(UTU)-K

Subclass / Remark

For S007K

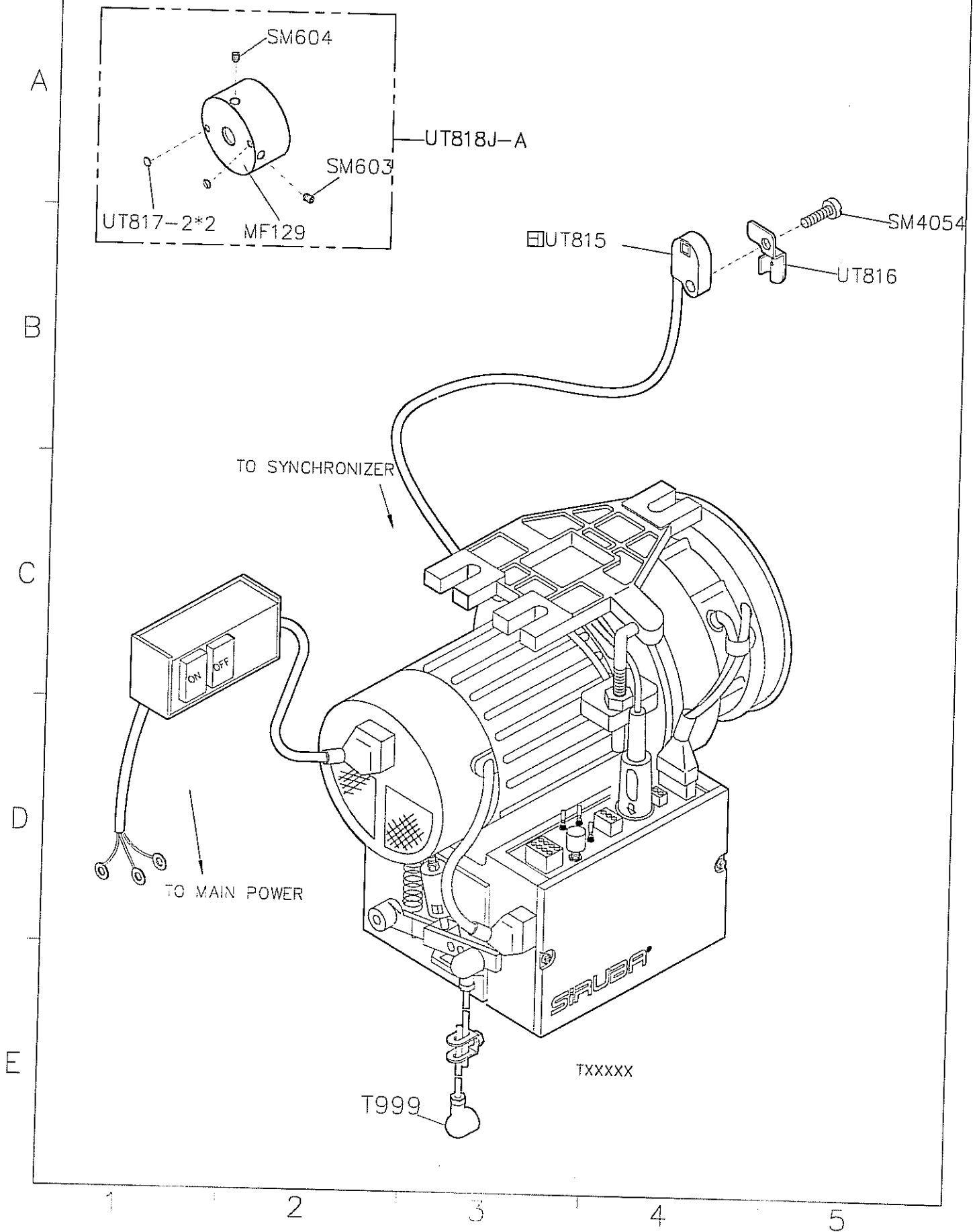
☐ : Use for H brand motor

Page

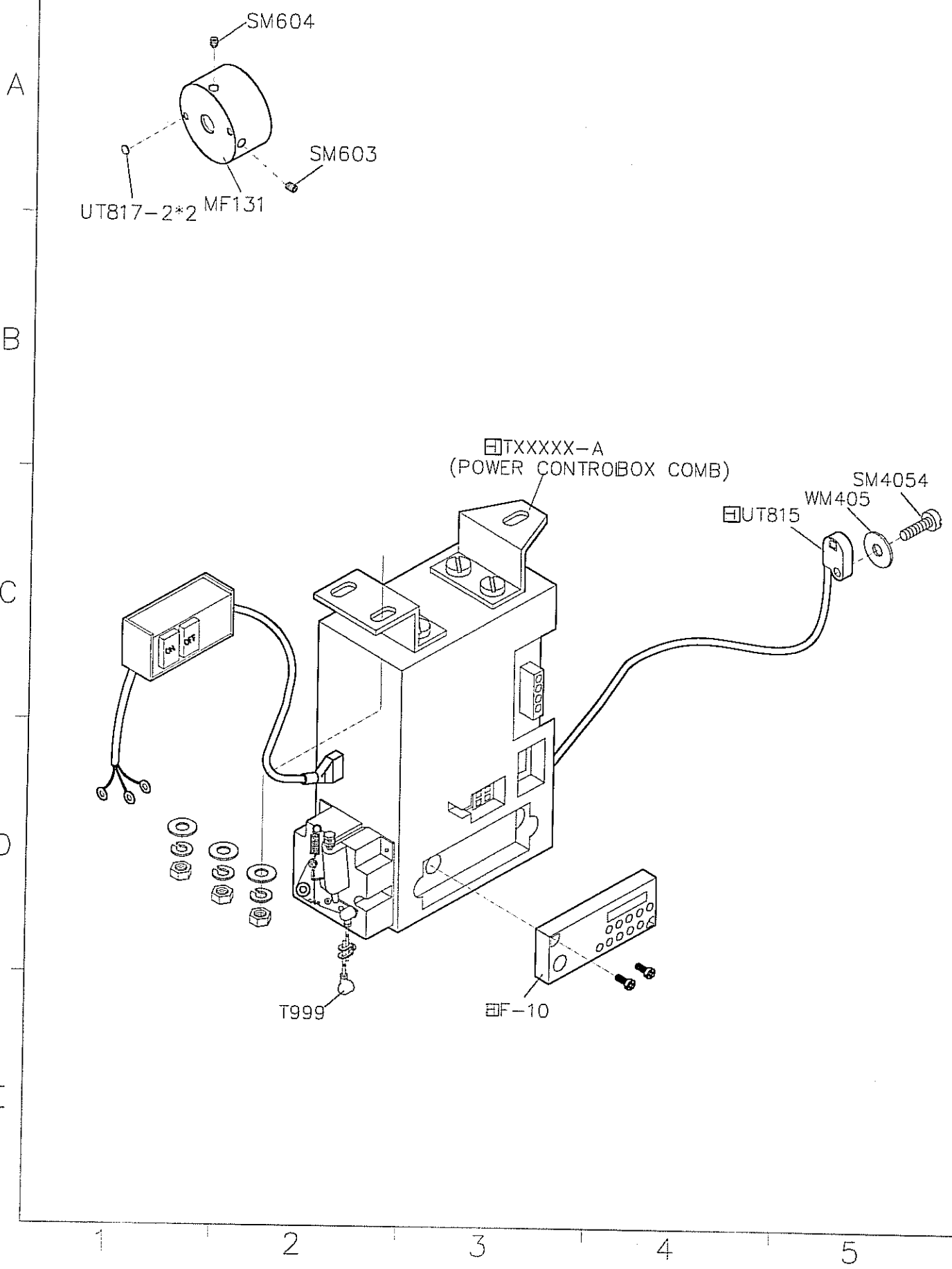
9/11

Date

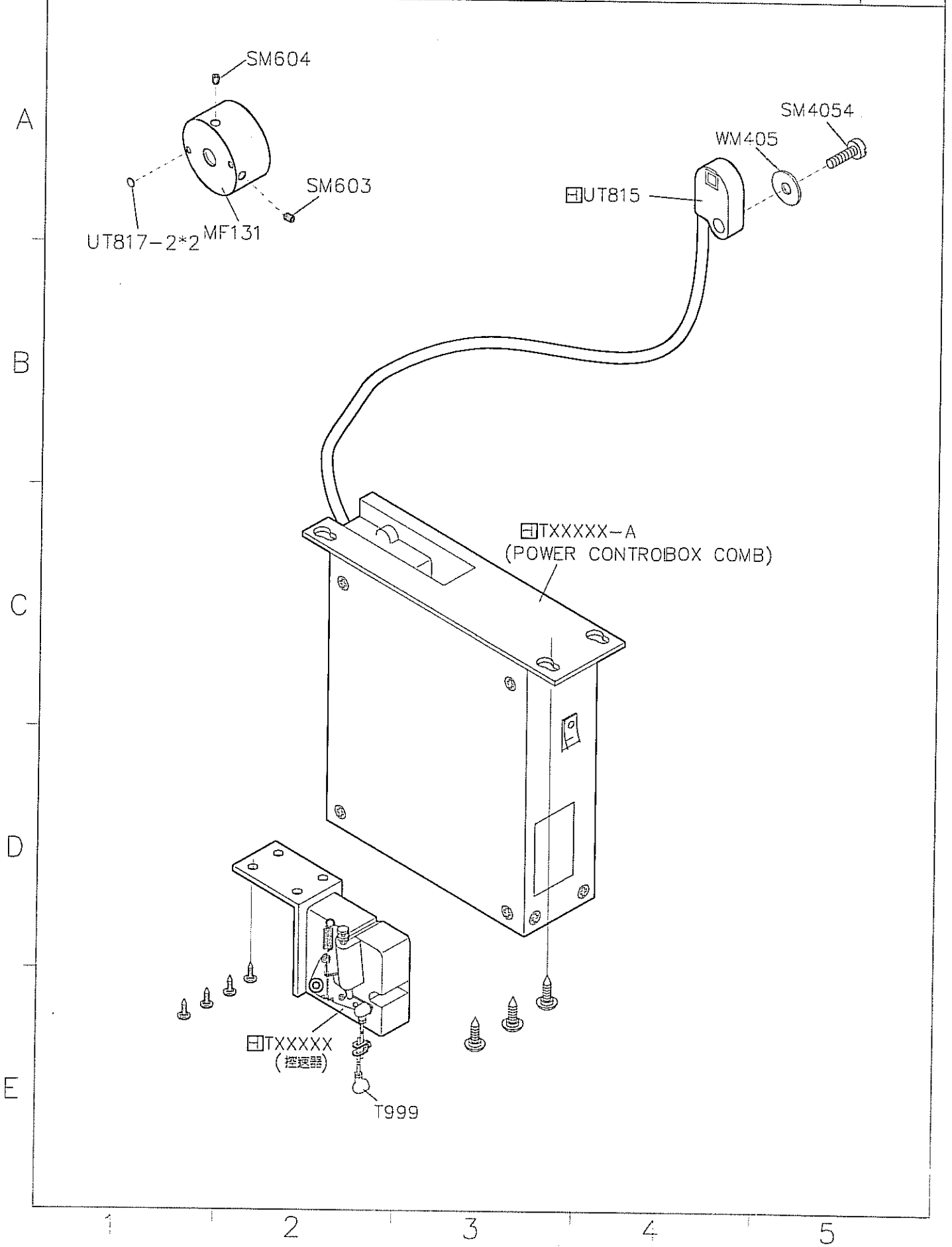
2013/08/06



SIRUBA PARTS LIST	Series	Parts Group	Subclass / Remark	Page
	S007K/S007KD	UTT(UTU)-K	For S007KD	10/11
			☐ : Use for H brand motor (HVP-20)	Date
				2013/08/06



SIRUBA	Series	Parts Group	Subclass / Remark	Page
PARTS LIST	S007K/S007KD	UTT(UTU)-K	For S007KD ☐ : Use for H brand motor (HVP-70)	11/11 Date 2013/08/06



SIRUBA

PARTS LIST

Series

Parts Group

Subclass / Remark

Page

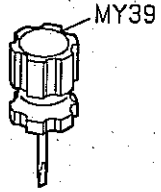
S007K/S007KD

UTX(UTY)-K

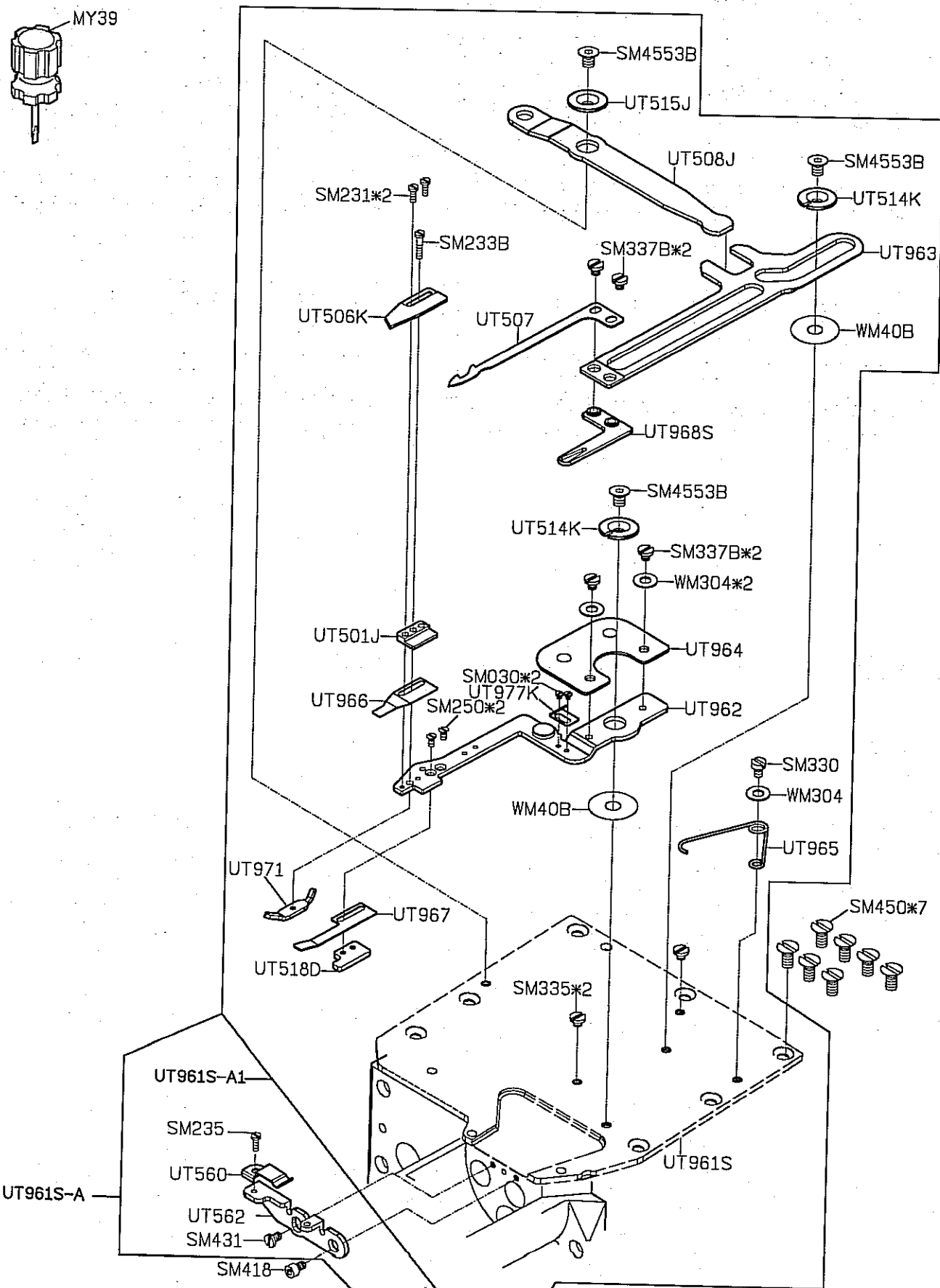
1/12

Date

2014/03/06



A
B
C
D
E



1 2 3 4 5

SIRUBA

PARTS LIST

S007K/S007KD

Parts Group

UTX(UTY)-K

Subclass / Remark

For S007K/S007KD 2nd Generation

 : Use for H brand motor

Page

2/12

Date

2012/12/21

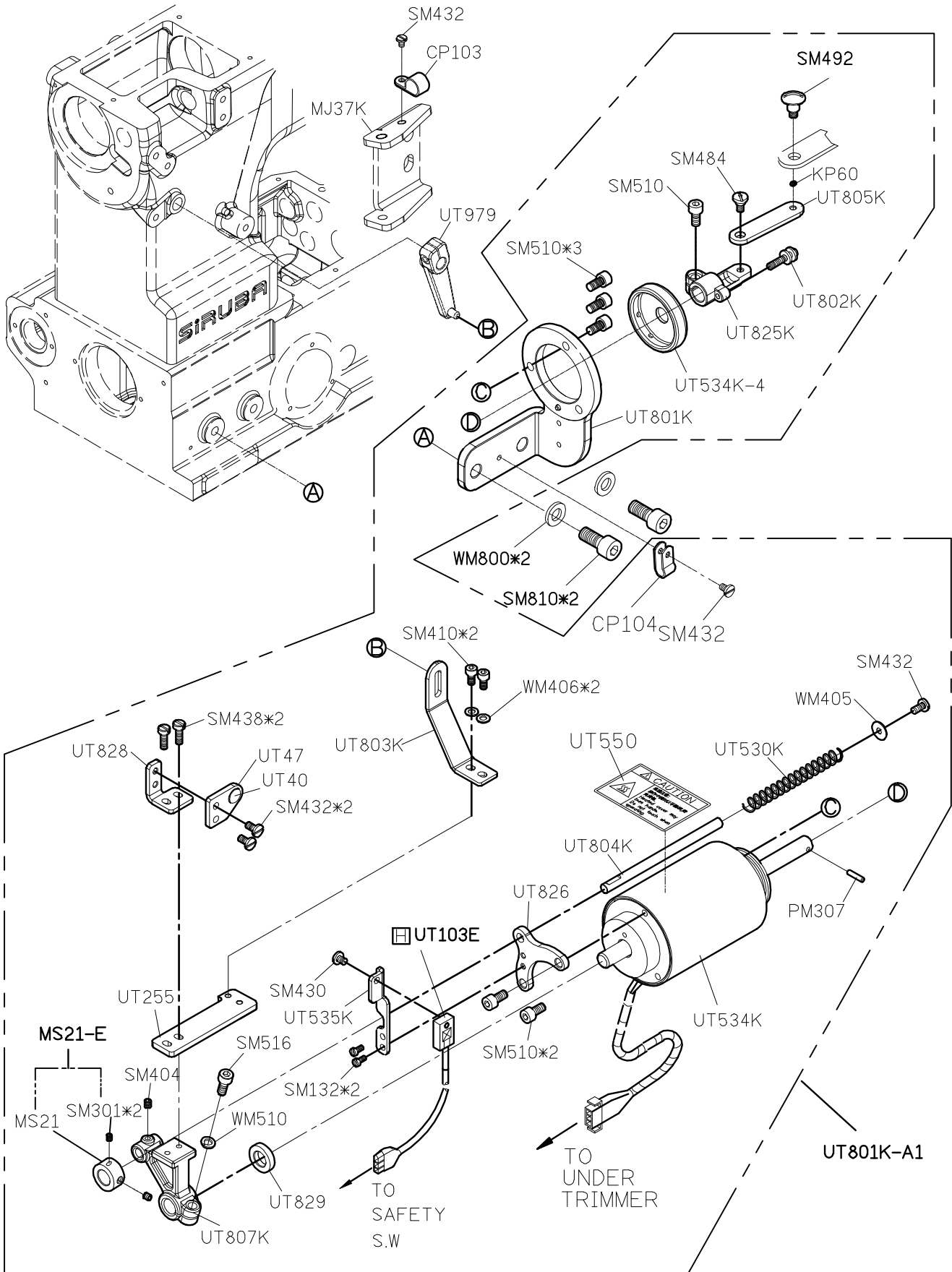
A

B

C

D

E



1

2

3

4

5

SIRUBA

Series

Parts Group

Subclass / Remark

Page

PARTS LIST

S007K/S007KD

UTX(UTY)-K

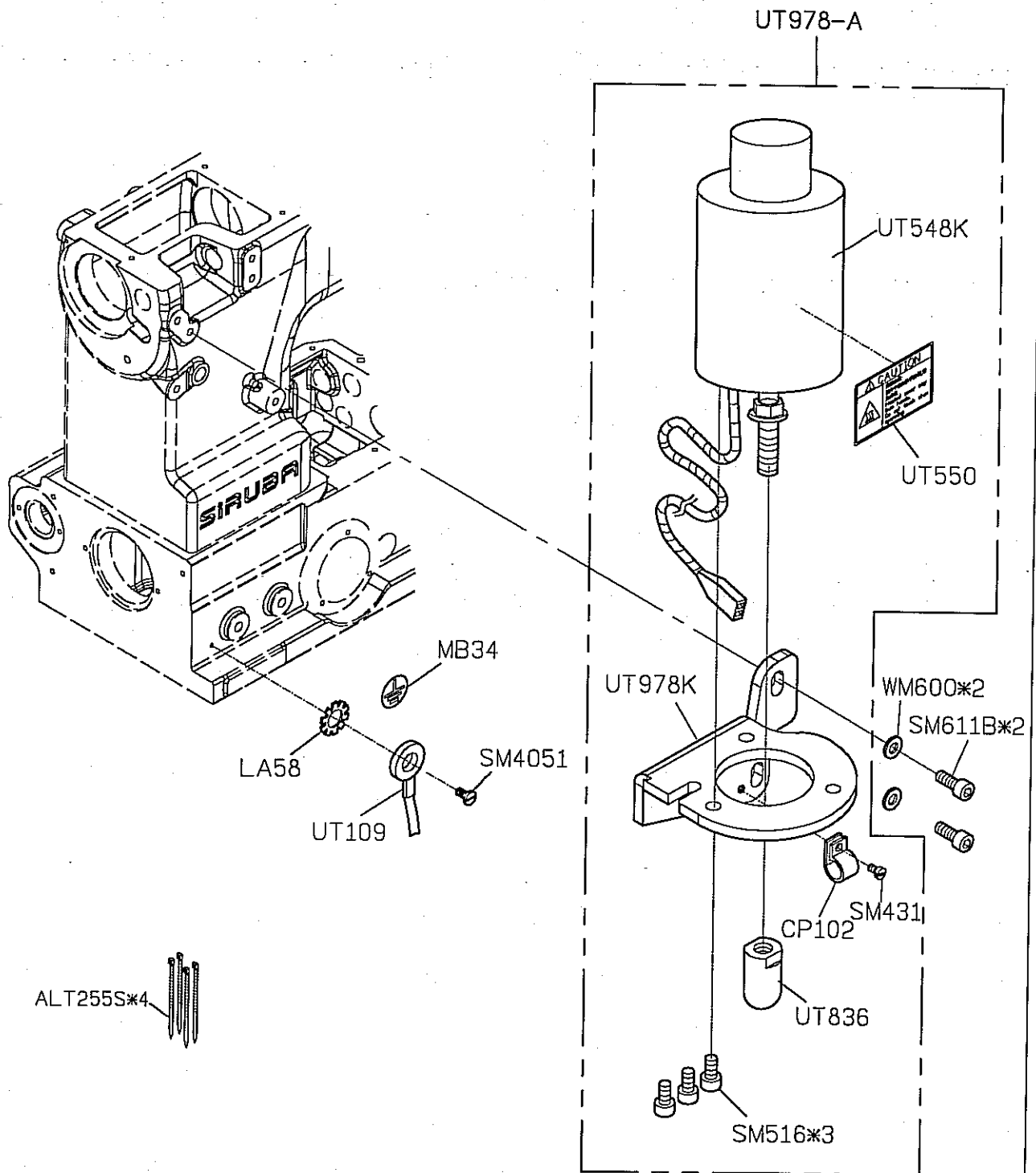
For S007K/S007KD 2nd Generation

3/12

Date

2014/02/19

A
B
C
D
E



1 2 3 4 5

SIRUBA

Series

Parts Group

Subclass / Remark

Page

PARTS LIST

S007K/S007KD

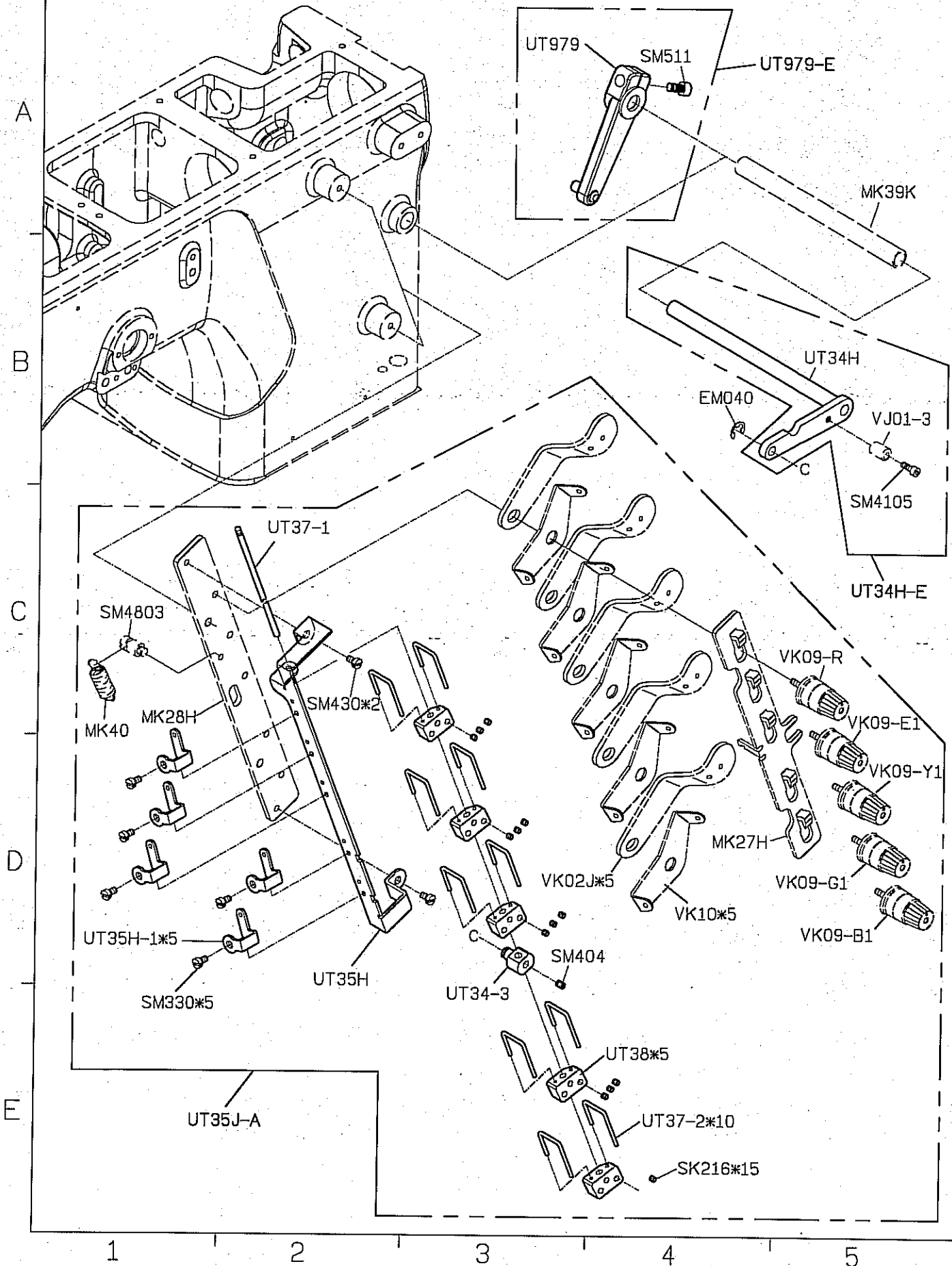
UTX(UTY)-K

For S007K/S007KD 2nd Generation

4/12

Date

2013/10/16



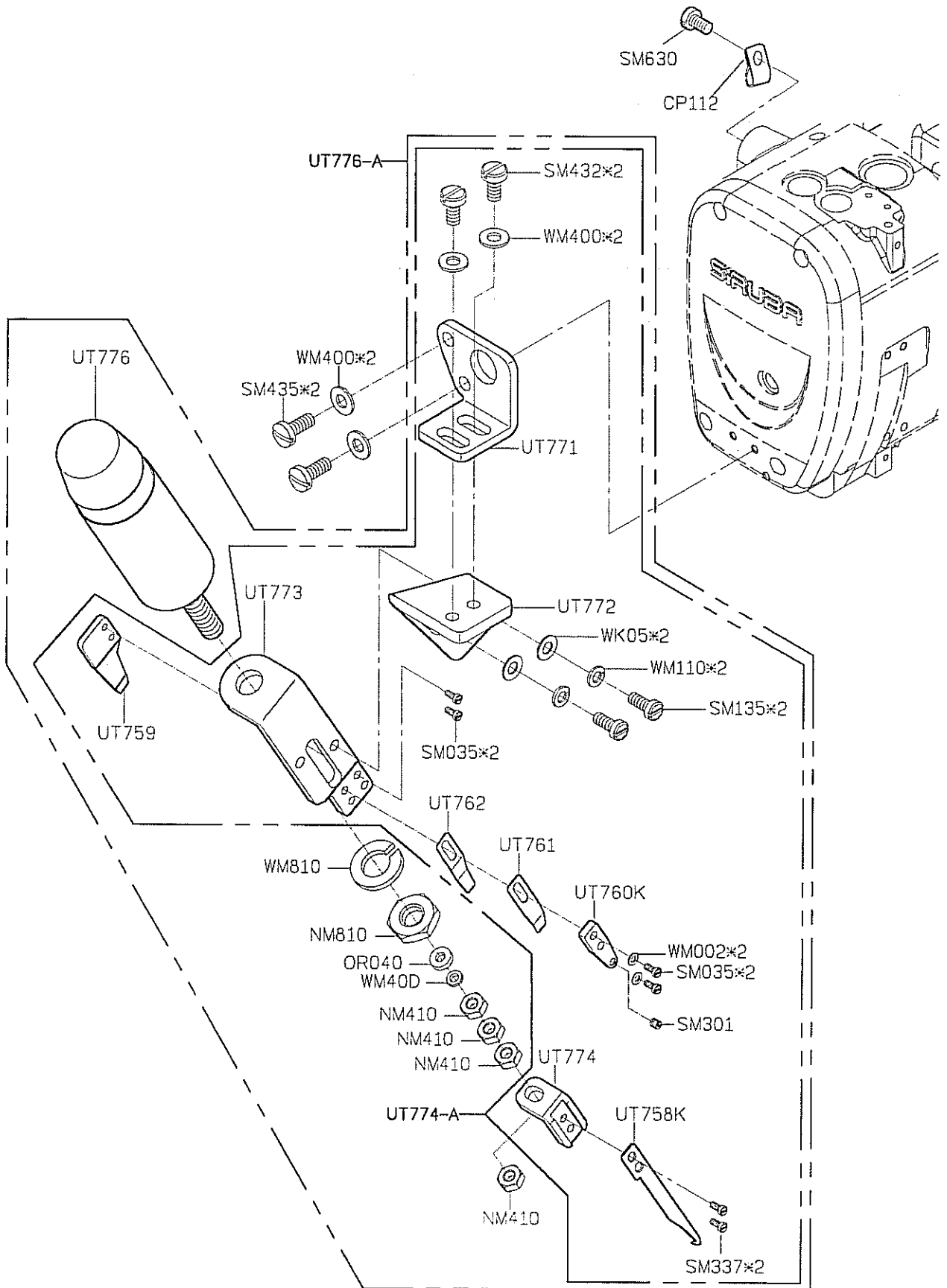
A

B

C

D

E



1

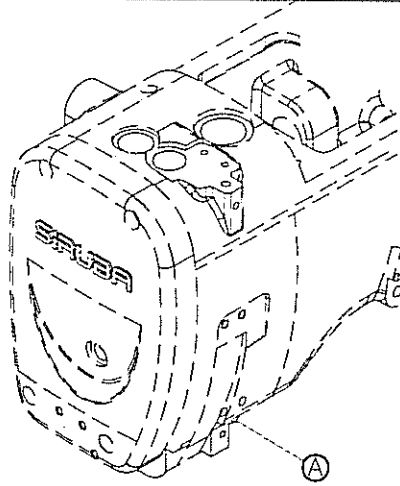
2

3

4

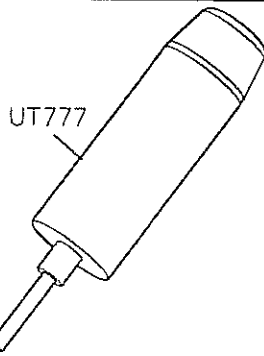
5

A



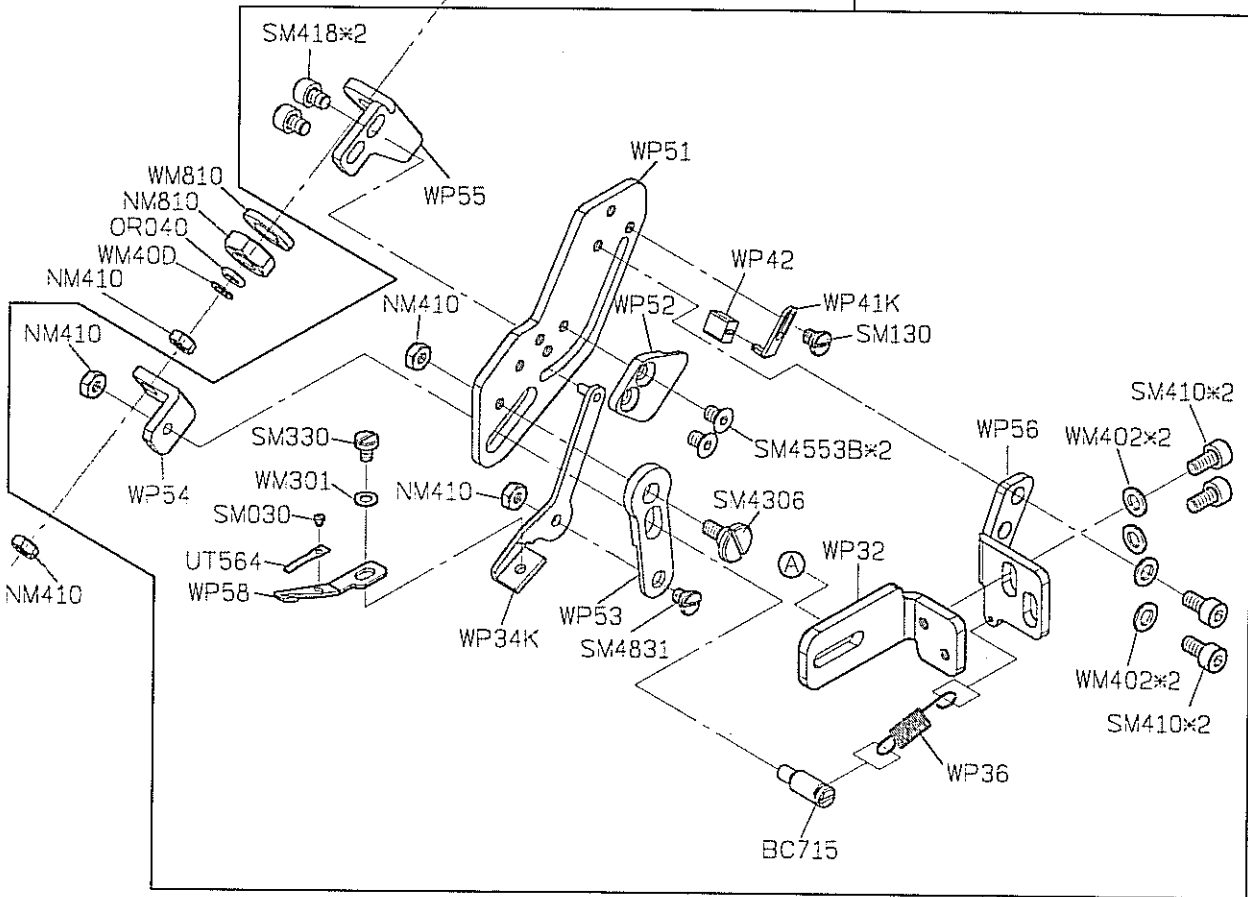
WP51-A2

B



WP51-A

C



D

E

1 2 3 4 5

SIRUBA

PARTS LIST

S007K/S007KD

Parts Group
UTX(UTY)-K

Subclass / Remark
For S007K
☐ : Use for H brand motor

Page
7/12
Date
2012/10/31

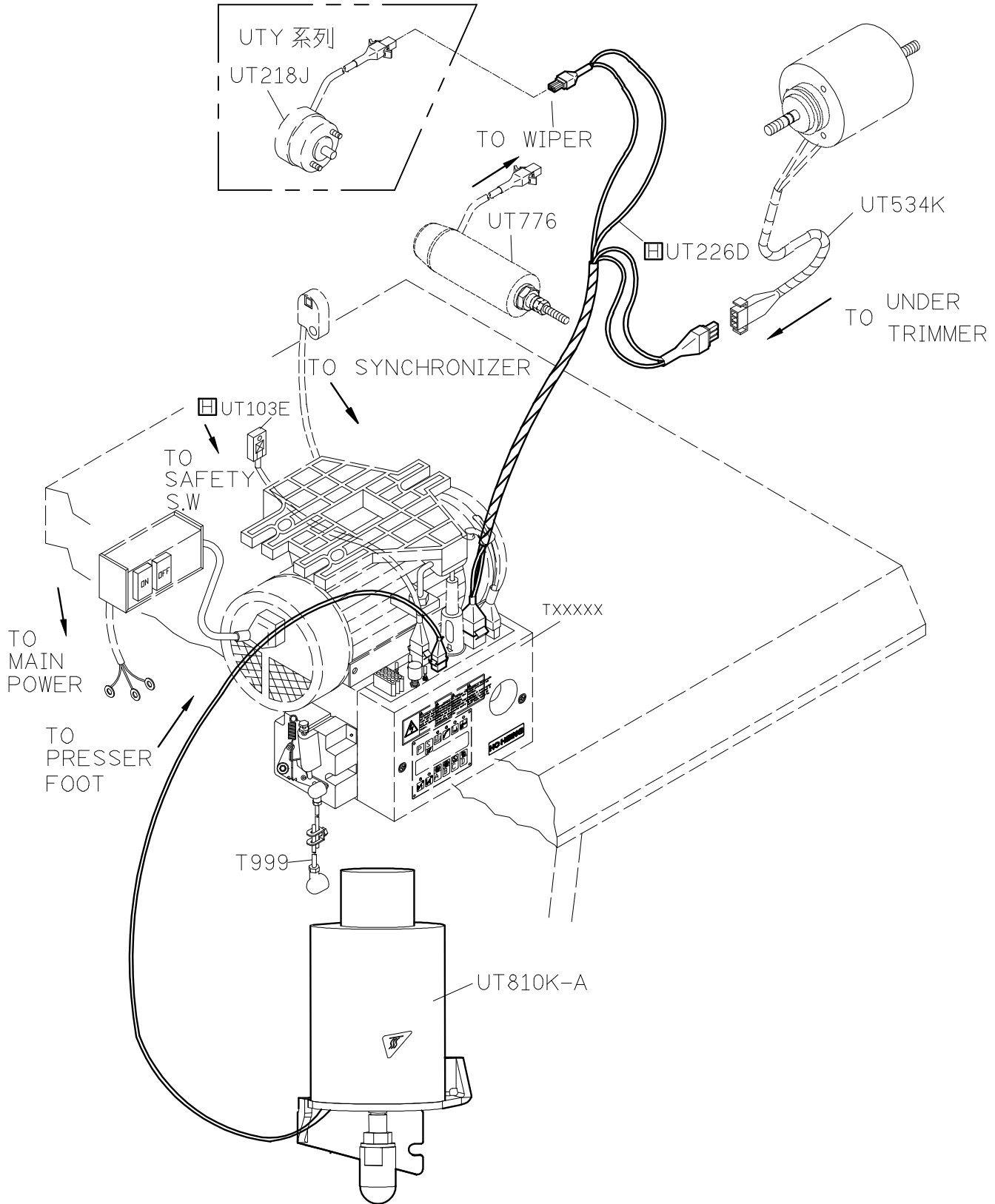
A

B

C

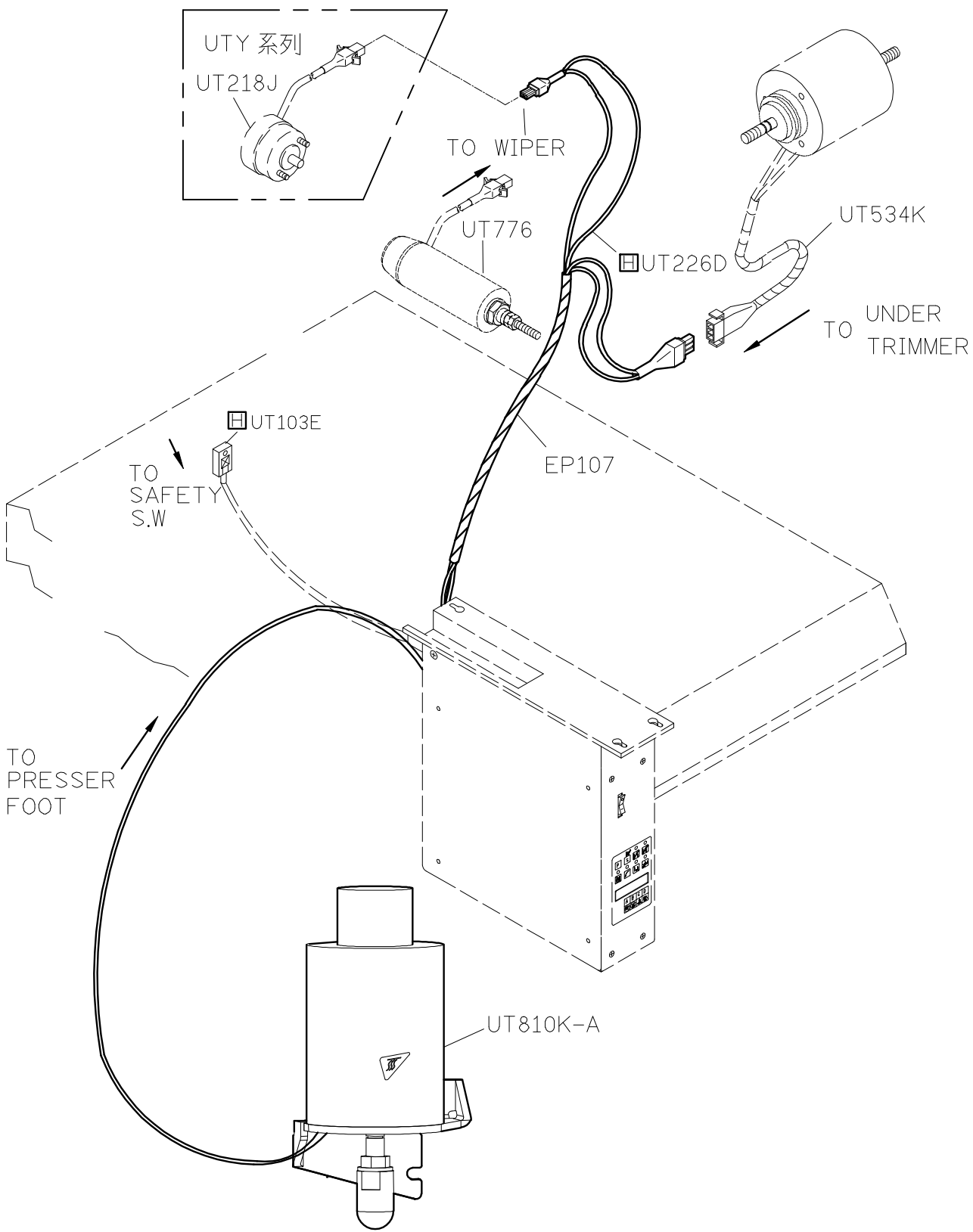
D

E



SIRUBA PARTS LIST	S007K/S007KD	Parts Group UTX(UTY)-K	Subclass / Remark For S007KD ☐ : Use for H brand motor	Page 8/12 Date 2012/10/31
-----------------------------	---------------------	----------------------------------	--	--

A
B
C
D
E



SIRUBA

PARTS LIST

S007K/S007KD

Parts Group
UTX(UTY)-K

Subclass / Remark
For S007KD
☐ : Use for H brand motor

Page
9/12
Date
2012/10/31

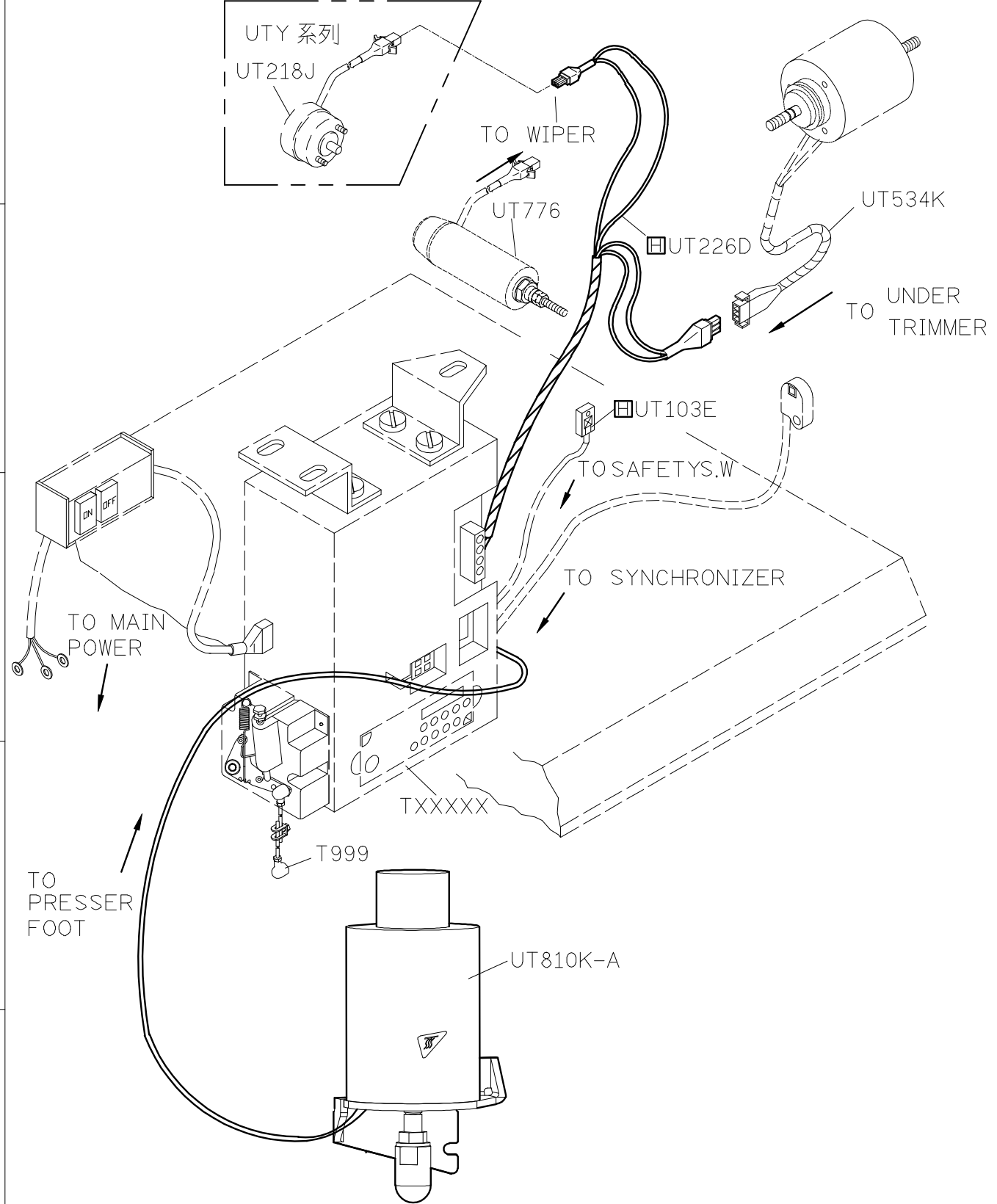
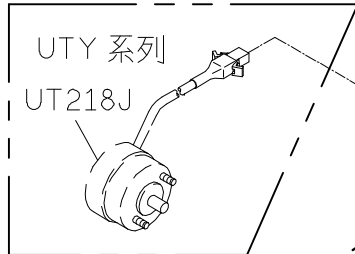
A

B

C

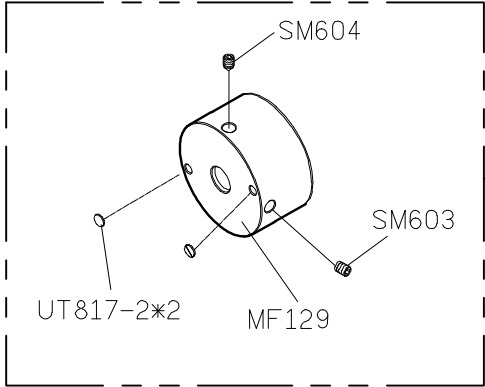
D

E



SIRUBA PARTS LIST	S007K/S007KD	Parts Group	Subclass / Remark	Page
		UTX(UTY)-K	For S007K	10/12
			<input type="checkbox"/> : Use for H brand motor	Date
				2012/10/31

A
B
C
D
E



UT818J-A

UT815

SM4054

UT816

TO SYNCHRONIZER

TO MAIN POWER

TXXXXX

T999

SIRUBA

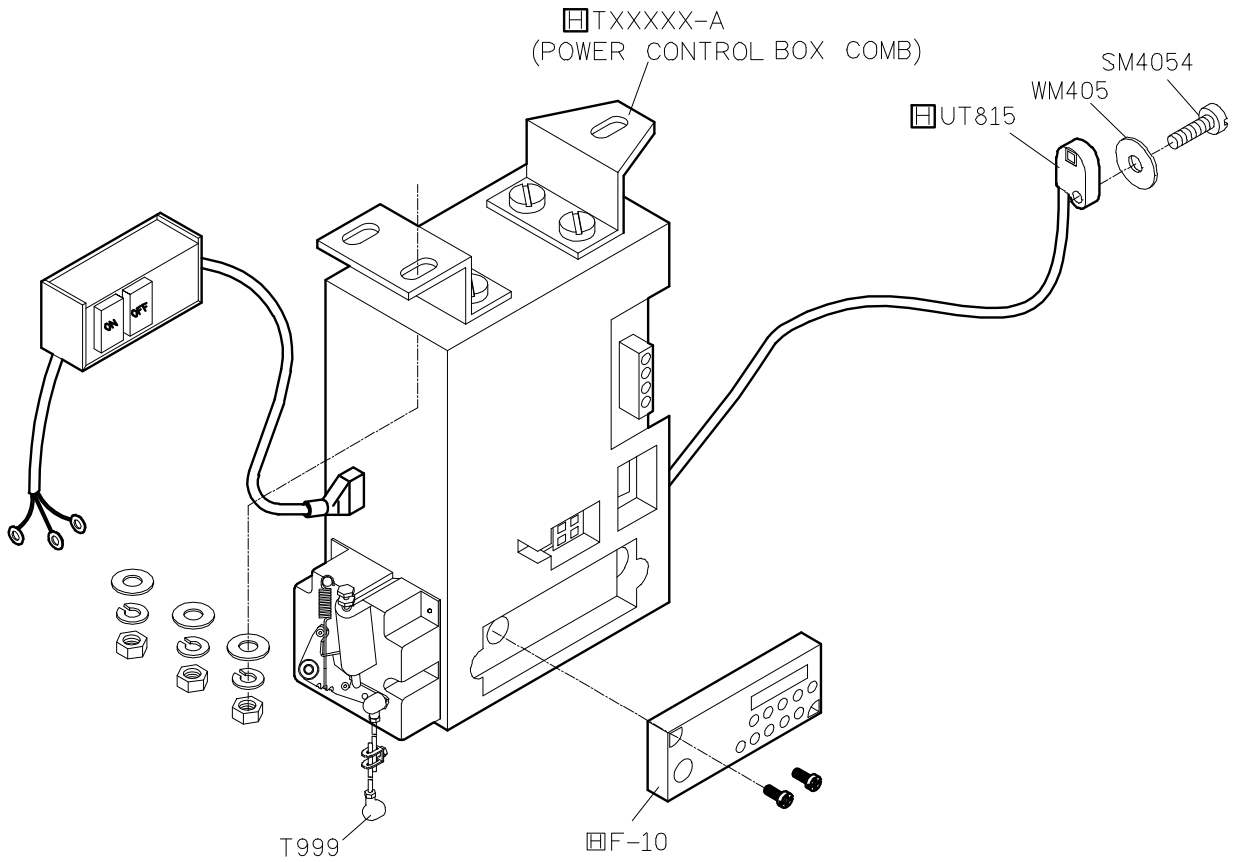
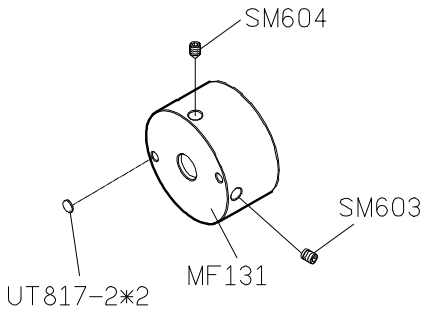
PARTS LIST

S007K/S007KD

Parts Group
UTX(UTY)-K

Subclass / Remark
For S007KD
☐ : Use for H brand motor
(HVP-20)

Page
11/12
Date
2012/10/31



1

2

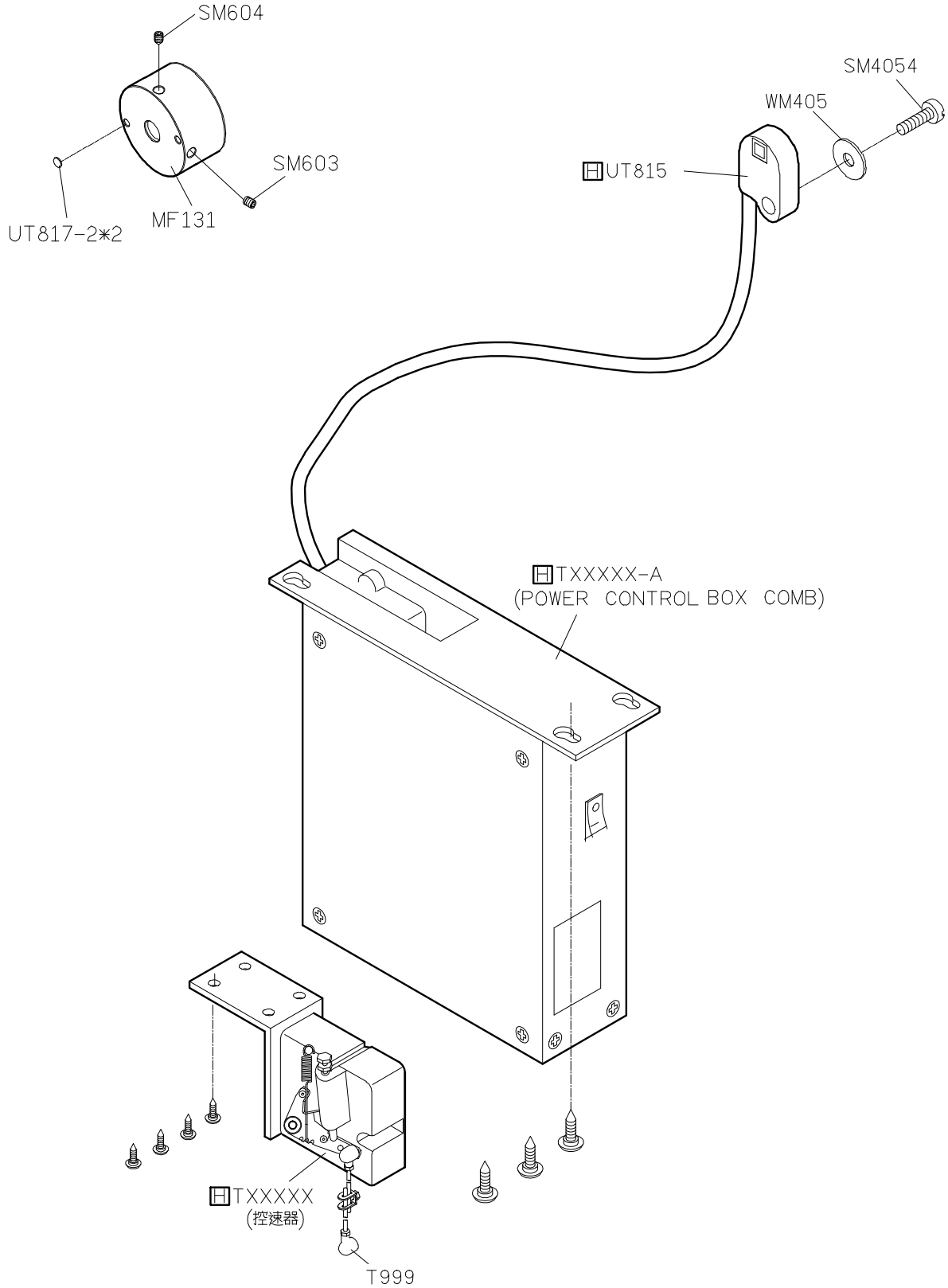
3

4

5

SIRUBA PARTS LIST	Series	Parts Group	Subclass / Remark	Page
	S007K/S007KD	UTX(UTY)-K	For S007KD	12/12
			☐ : Use for H brand motor (HVP-70)	Date
				2012/10/31

A
B
C
D
E



SIRUBA TABLE CUT - OUT	Series	Item Code	Subclass / Remark	Mounting
	C007K/C007KD C858K/C858KD S007K/S007KD	C007K-T23	For All Series	Semi-submerged
				Date 2013/01/26

